

**BM 125 X**



**BM 125 X**

Bajaj Auto Limited  
Akurdi Pune 411 035 India

# Spare Parts Catalogue



## Notice

---

All information contained in this manual is based on the latest product information at the time of publication. Bajaj Auto Limited accepts no liability for any inaccuracies or omissions in this publication, although every possible care has been taken to make it as complete and accurate as possible. All procedures and specifications subject to change without prior notice. The right is reserved to make such changes at any time without prior notice and without incurring an obligation to make such changes to product manufactured previously. Contact your authorized Bajaj Dealer for the latest information on product improvements incorporated after this manual was issued.

DOC. NO.: XXXXXXXX

REV. JUNE 2017

---

## Foreword

---

We have pleasure in presenting the Spare Parts Catalogue for 'BOXER-125 X' Motorcycle. This catalogue has been specially designed to assist you in selecting the correct parts for procurement to maintain 100% availability.

The Bajaj spares are subjected to the stringent quality control standards to ensure longer life of the vehicle. It is therefore necessary that only the Genuine Bajaj Spares are used.

In a continual effort to improve Performance and Efficiency of the vehicles, Specifications, Diagrams, Illustrations and Part Numbers can change without notice. Consequently, the description in this Spare Parts Catalogue cannot therefore be final and binding on us.

The modifications / alterations which are carried out after the issue of this catalogue, will be conveyed to you through our Service Circulars. You are requested to make necessary corrections in the Parts Catalogue as per the circulars so as to keep your catalogue up-to-date. This will ensure the appropriate and speedy delivery of the Spare Parts as the order placed will bear the latest part numbers.

In case, if you need any technical assistance contact the concerned Regional Office or write to us on the following address :

Bajaj Auto Limited  
Export Service Department  
Akurdi, Pune 411 035 India  
Phone : 020-27406557  
Fax : 020-27407385

---

## Instructions

---

1. How to Read the Catalogue : Open the catalogue and from the pictorial index locate the group in which the part you want to find is present. Turn over to the concerned page number (as given by pictorial index). Now find out the figure of the part you wish to order. Write down the part number against that particular figure number from the text.

In case, if you have the part number and you need the other details, the part index can be used. The part index (at the end of the catalogue) will give you the figure and page number of the part you wish to order.

2. How to Order Spare Parts : The part number and the description of the part required should be invariably mentioned in the order as per the catalogue text.

The latest part number as conveyed through our service circulars should only appear on the order. In case of ordering painted components, colour shade of the components should be mentioned.

The quantity shown against the part number is the quantity per vehicle for that group so that particular quantity should be multiplied by the number of sets required.

3. Part Number System : We have used 8 digit system for part numbers. The model or hardware item is indicated by first two digits or alphanumeric, the next two or four digits indicate main group and the last four or two digits indicate serial number in main group or serial number or subgroup of fastener respectively. Thus the part numbers will be indicated by 2-2-4 or 2-4-2 digit system. Understanding this system will enable you to identify the spare parts easily.

4. Abbreviations : The following abbreviations are used in this catalogue.

Assly	Assembly	V	Volts
N.I.	Not illustrated	W	Watts
C'case	Crankcase	Accl.	Accelerator
Cyl	Cylinder	Comp.	Complete
O/s	Over size	Fr.	Front
Rr.	Rear	Std.	Standard
L	Length	A/t.	Alternate
R.H.	Right hand	L.H.	Left hand
Hex.	Hexagonal	AR	As required

---

# Index



Plate No.	Description	
1	Cover Cylinder Head	2
2	Valve	4
3	Camshaft / Tensioner	6
4	Cylinder & Piston	8
5	Crankshaft	10
6	Transmission	12
7	Change Drum / Shift Fork	14
8	Gear Change Mechanism	16
9	Engine Assly & Crankcase RH	18
10	Crankcase LH	20
11	Cover RH	22
12	Cover Magneto	24
13	Clutch	26
14	Kick Starter Mechanism	28
15	Carburettor	30
16	Air Cleaner Complete	32
17	Silencer Assly	34
18	Oil Pump	36
19	Starter Assly	38
20	Magneto / C.D.I. / H.T. Coil	40
21	Seat Assly	42
22	Engine Mountings	44
23	Frame and Frame Fittings	46
24	Swing Arm / Rear Shock Absorber	48
25	Rider Foot Rest / Pillion Foot Rest	50

# Index



Plate No.	Description	Page No.
26	Mudguard - Front & Rear	52
27	Stand Assembly	54
28	Tube / Tyre / Rim	56
29	Front Hub	58
30	Rear Hub	60
31	Rear Brake Pedal	62
32	Handle Bar	64,66
33	Front Fork	68
34	Fuell Tank, Cap Tank and Gauge Fuel	70
35	Fittings - Fuel Tank, Side Covers & Cover Seat	72
36	Meter Assembly	74
37	Control Cables	76
38	Chain Case	78
39	Head Lamp (With Fairing)	80
40	Indicator Light Assembly	82
41	Tail Lamp Assly / Front Number Plate	84
42	Electrical Equipments	86
43	Tool Kit	88
44	Accessories	90
45	Painted Parts and Decals	92
	Kits List	
	Amendment Sheet (Parts Added & Deleted)	
	Part Index	

# Pictorial Index

BM 125 X

PLATE NO. : 1  
COVER CYLINDER HEAD

PAGE NO.  
2

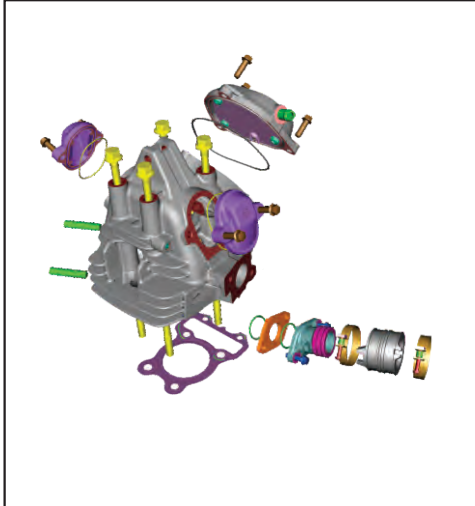


PLATE NO. : 2  
VALVE

PAGE NO.  
4

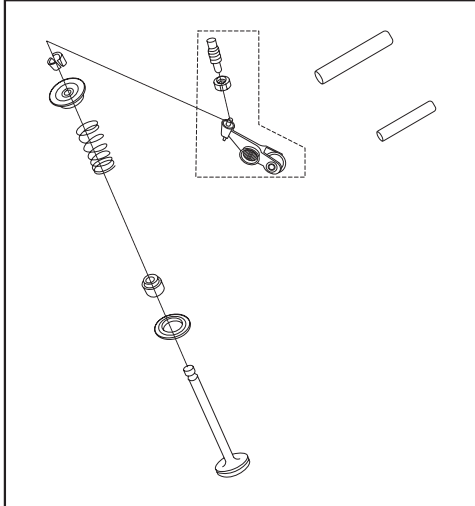


PLATE NO. : 3  
CAMSHAFT / TENSIONER

PAGE NO.  
6

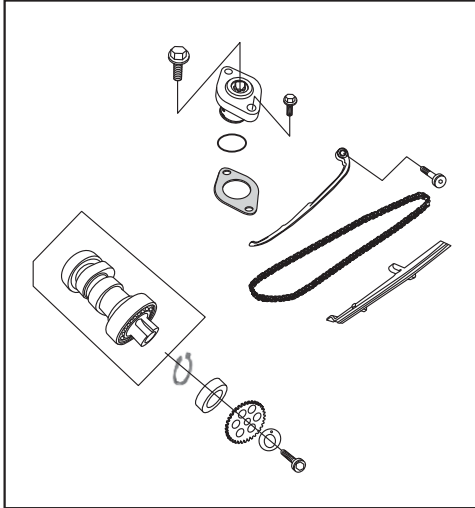
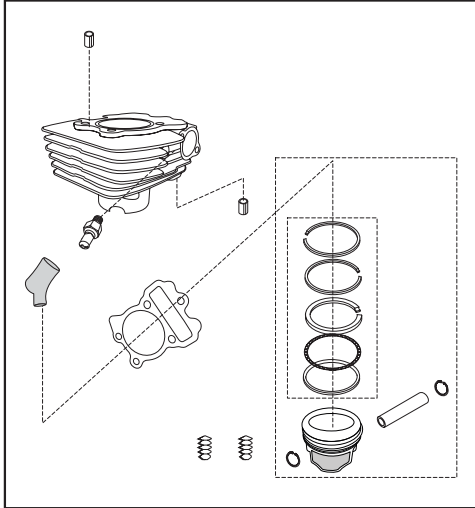


PLATE NO. : 4  
CYLINDER & PISTON

PAGE NO.  
8



# Pictorial Index

BM 125 X

PLATE NO. : 5  
CRANKSHAFT

PAGE NO.  
10

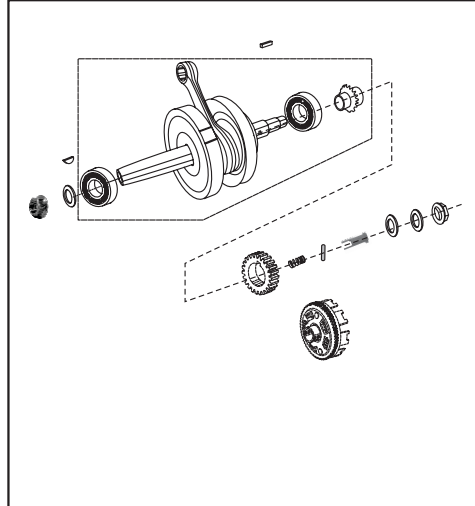


PLATE NO. : 6  
TRANSMISSION

PAGE NO.  
12

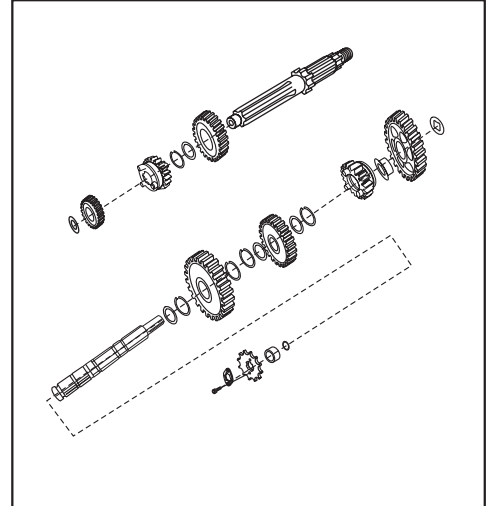


PLATE NO. : 7  
CHANGE DRUM / SHIFT FORK

PAGE NO.  
14

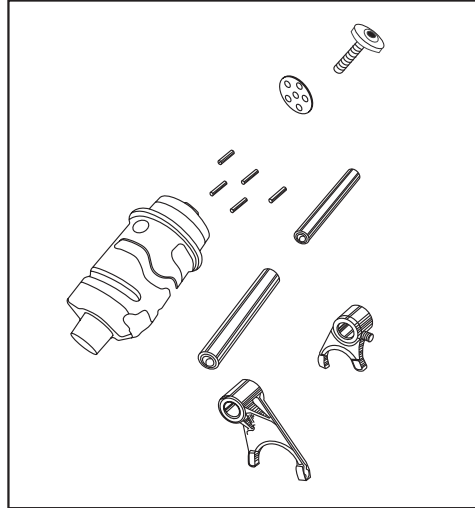
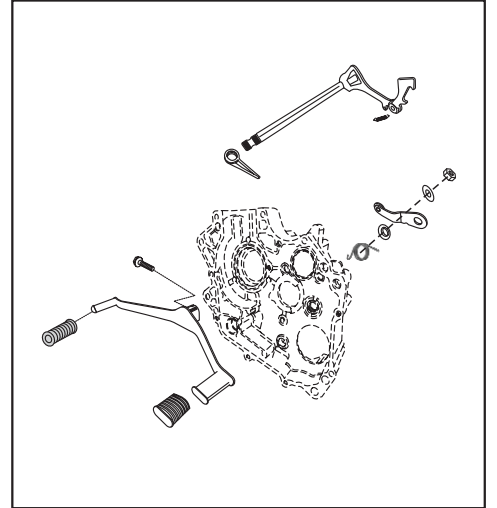


PLATE NO. : 8  
GEAR CHANGE MECHANISM

PAGE NO.  
16





# Pictorial Index

BM 125 X

PLATE NO. : 9  
ENGINE ASSLY / CRANKCASE RH

PAGE NO.  
18

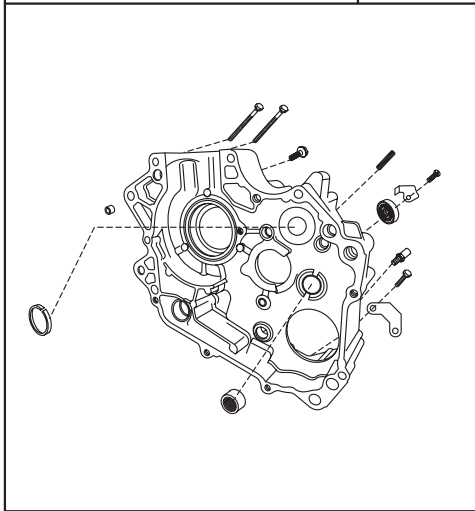


PLATE NO. : 10  
CRANKCASE LH

PAGE NO.  
20

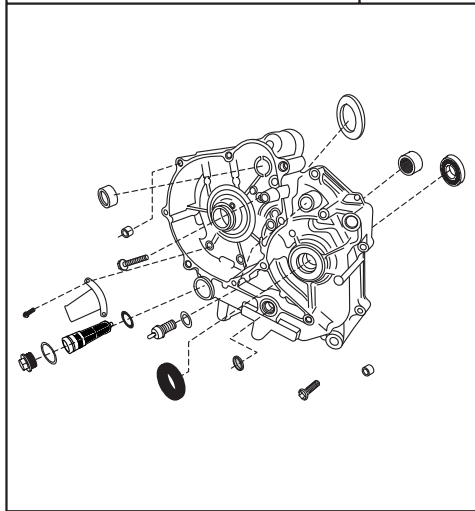


PLATE NO. : 11  
COVER RH

PAGE NO.  
22

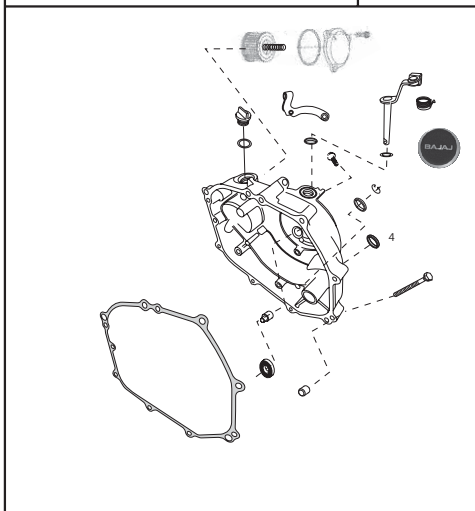
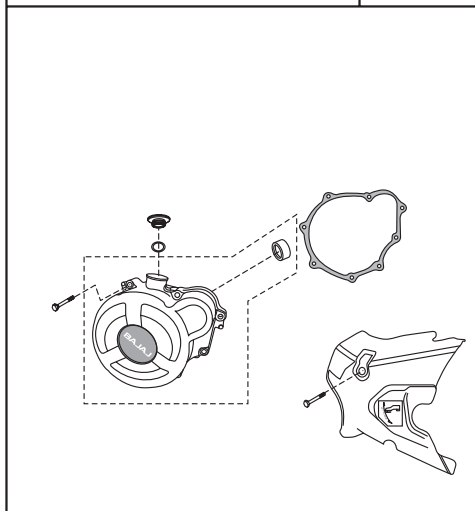


PLATE NO. : 12  
COVER MAGNETO

PAGE NO.  
24



# Pictorial Index

BM 125 X

PLATE NO. : 13  
CLUTCH

PAGE NO.  
26

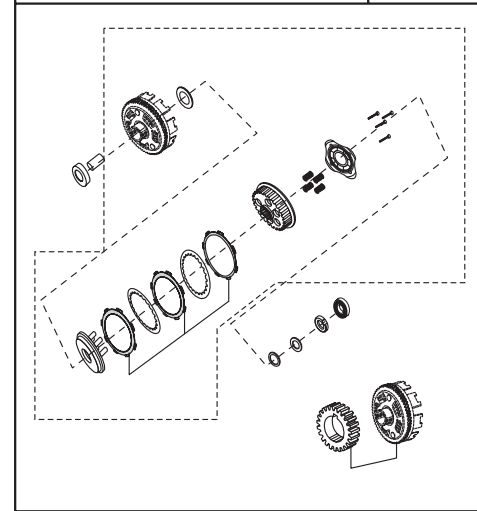


PLATE NO. : 14  
KICK STARTER MECHANISM

PAGE NO.  
28

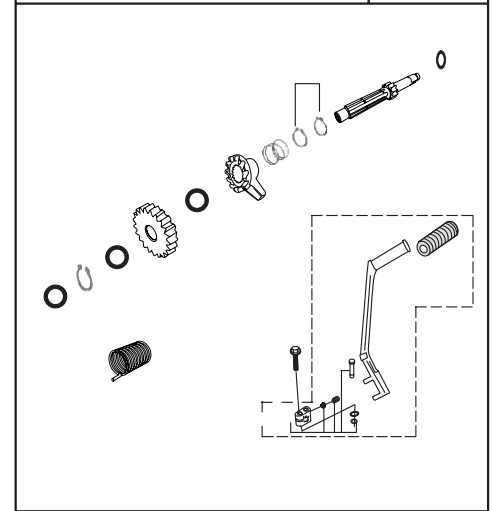


PLATE NO. : 15  
CARBURETOR

PAGE NO.  
30

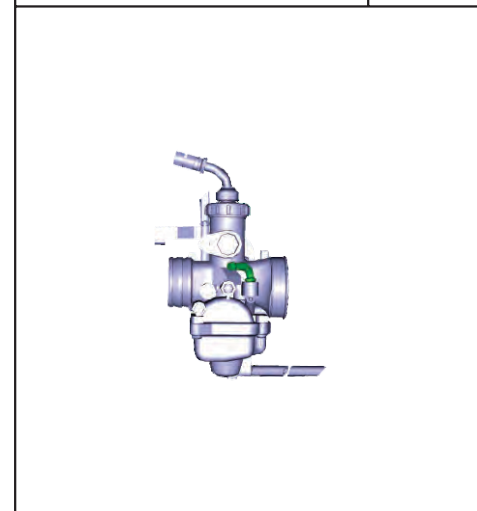
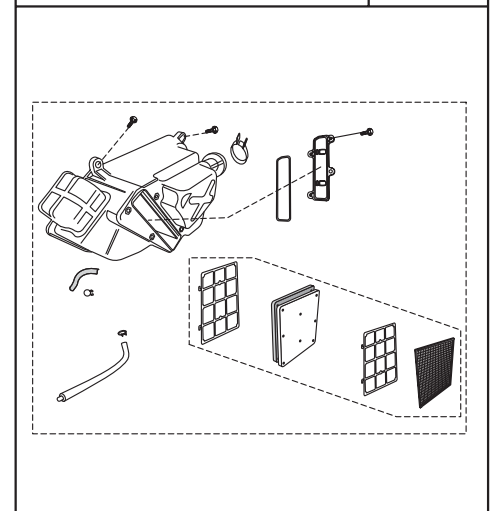


PLATE NO. : 16  
AIR CLEANER COMPLETE

PAGE NO.  
32



# Pictorial Index

BM 125 X

PLATE NO. : 17 SILENCER ASSLY	PAGE NO. 34
----------------------------------	----------------

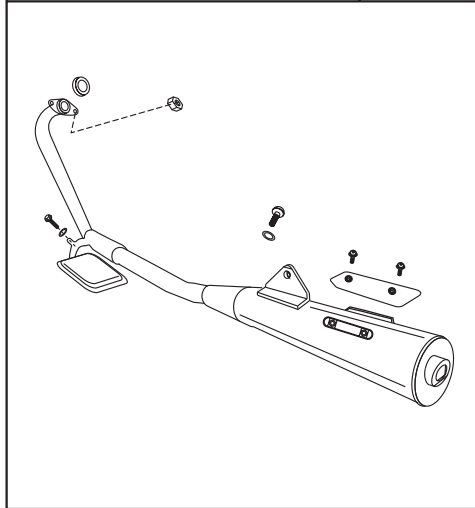


PLATE NO. : 18 OIL PUMP	PAGE NO. 36
----------------------------	----------------

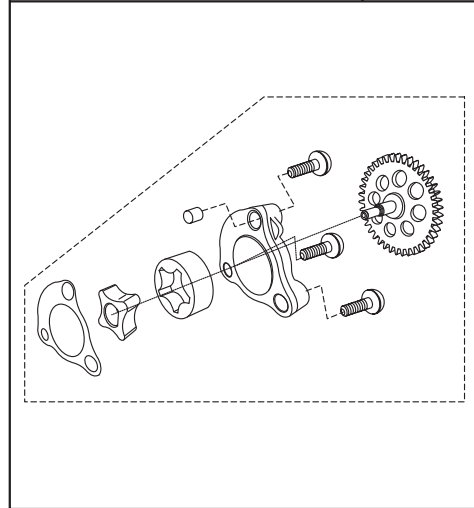


PLATE NO. : 19 STARTER ASSEMBLY	PAGE NO. 38
------------------------------------	----------------

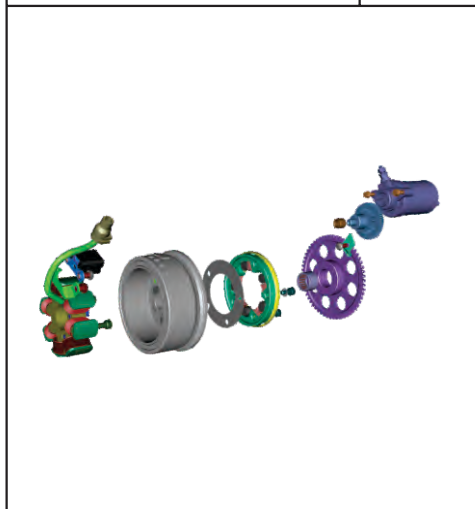
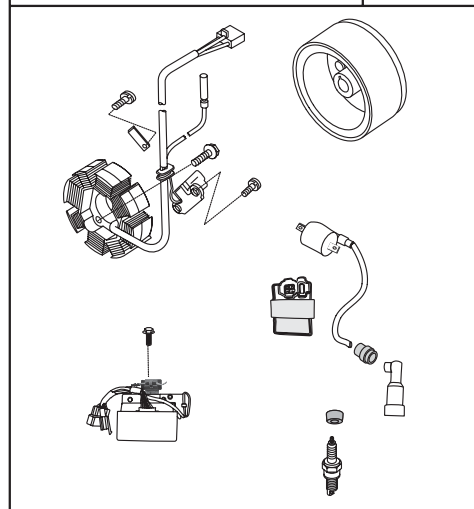


PLATE NO. : 20 MAGNETO, CDI & H.T. COIL	PAGE NO. 40
--	----------------



# Pictorial Index

BM 125 X

PLATE NO. : 21 SEAT ASSEMBLY	PAGE NO. 42
---------------------------------	----------------

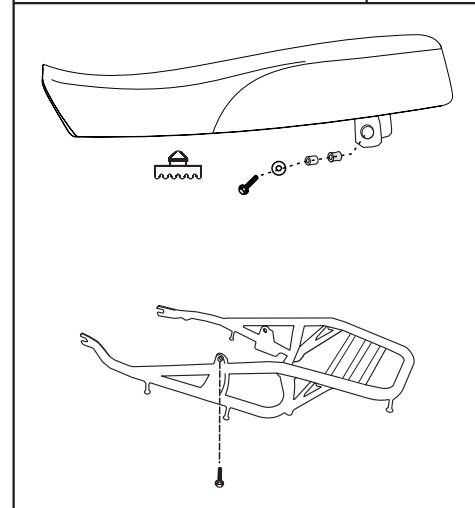


PLATE NO. : 22 ENGINE MOUNTING	PAGE NO. 44
-----------------------------------	----------------

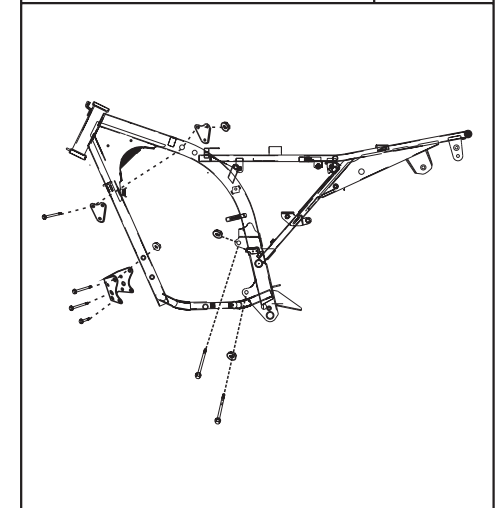


PLATE NO. : 23 FRAME & FRAME FITTING	PAGE NO. 46
---	----------------

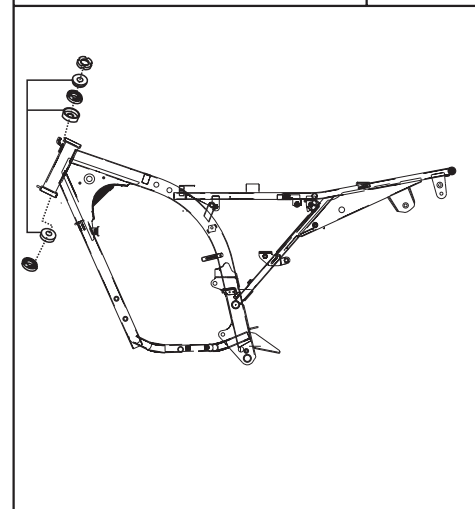
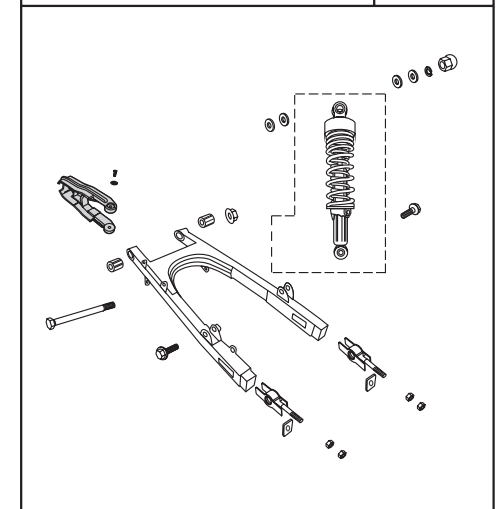
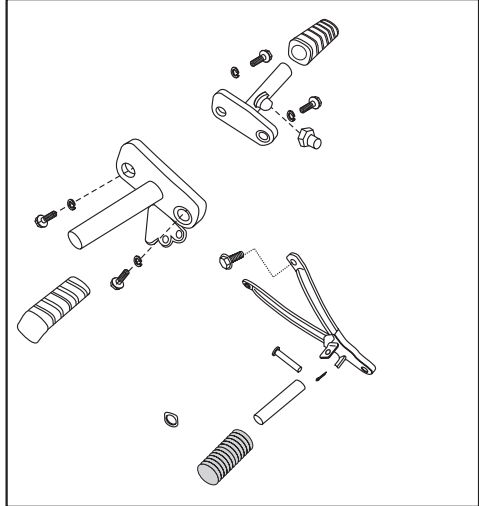
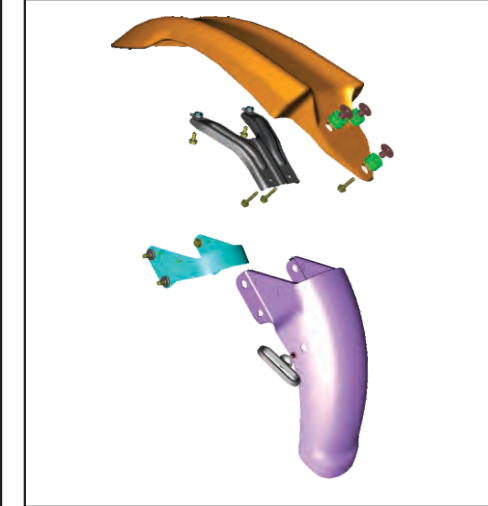


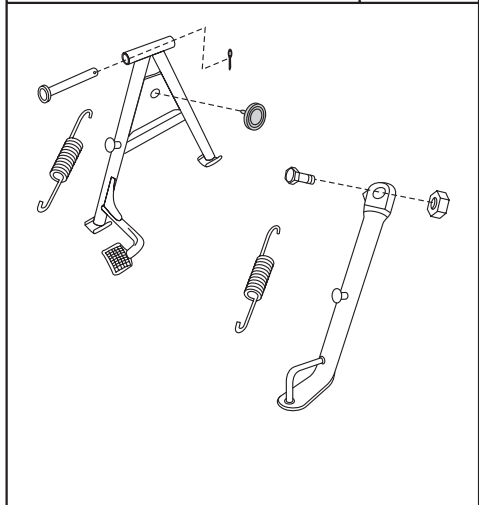
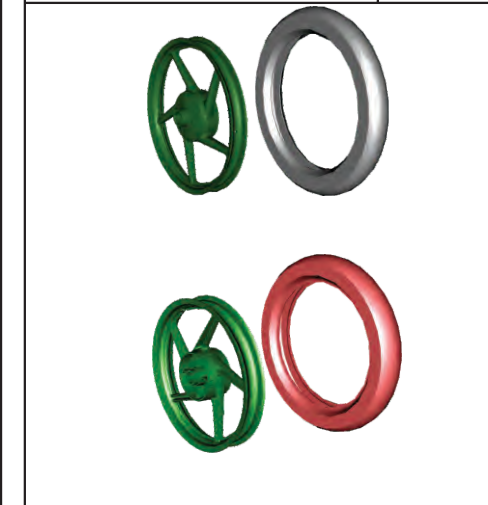
PLATE NO. : 24 SWING ARM / REAR SHOCK ABSORBER	PAGE NO. 48
---	----------------



# Pictorial Index

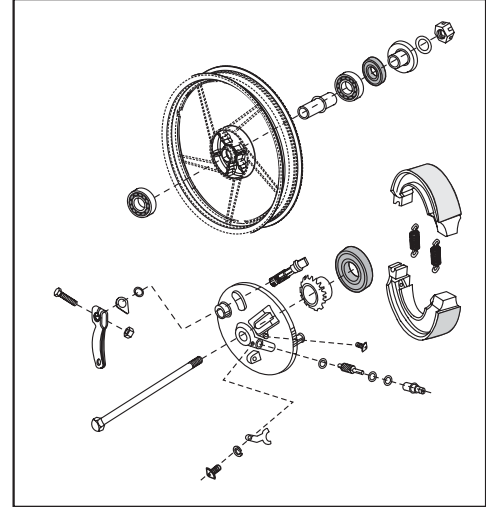
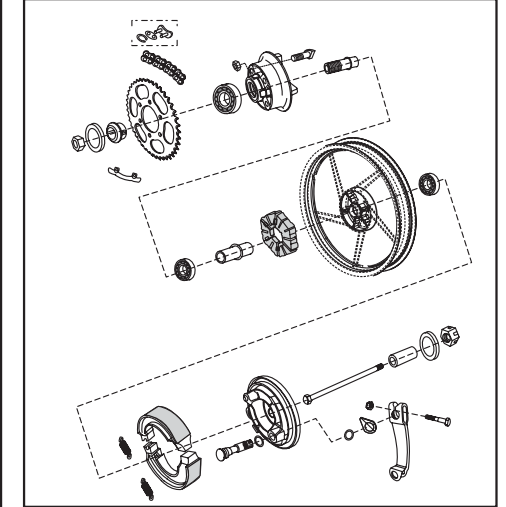
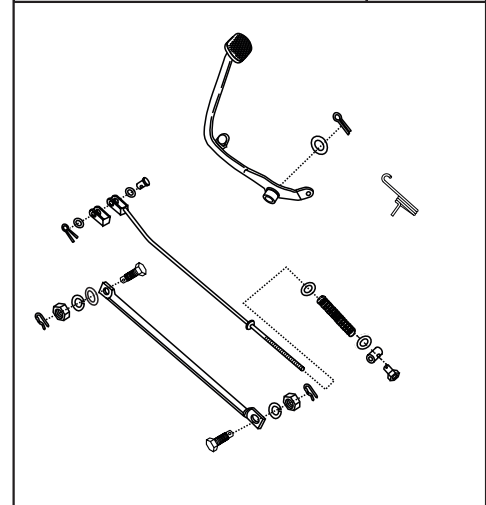
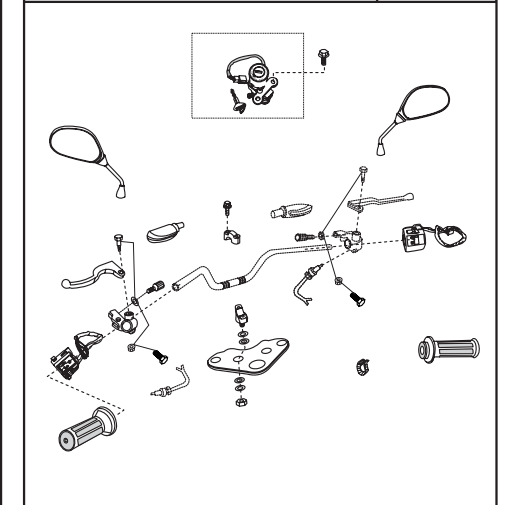
BM 125 X

<p>PLATE NO. : 25 RIDER FOOT REST / PILLION FOOT REST 50</p>	<p>PAGE NO. 50</p>	<p>PLATE NO. : 26 MUD GUARD - FRONT &amp; REAR 52</p>	<p>PAGE NO. 52</p>
			

<p>PLATE NO. : 27 STAND ASSEMBLY 54</p>	<p>PAGE NO. 54</p>	<p>PLATE NO. : 28 TYRE, TUBE &amp; RIM 56</p>	<p>PAGE NO. 56</p>
			

# Pictorial Index

BM 125 X

<p>PLATE NO. : 29 FRONT HUB (FOR ALLOY WHEEL) 58</p>	<p>PAGE NO. 58</p>	<p>PLATE NO. : 30 REAR HUB (FOR ALLOY WHEEL) 60</p>	<p>PAGE NO. 60</p>
			
<p>PLATE NO. : 31 REAR BRAKE PEDAL 62</p>	<p>PAGE NO. 62</p>	<p>PLATE NO. : 32 HANDLE BAR 64,66</p>	<p>PAGE NO. 64,66</p>
			



# Pictorial Index

BM 125 X

PLATE NO. : 33 FRONT FORK (FOR W/O FAIRING)	PAGE NO. 68	PLATE NO. : 34 FUEL TANK, CAP TANK & GAUGE	PAGE NO. FUEL 70

PLATE NO. : 35 FITTING - FUEL TANK, SIDE COVER & COVER SEAT	PAGE NO. 72	PLATE NO. : 36 METER ASSLY	PAGE NO. 74

# Pictorial Index

BM 125 X

PLATE NO. : 37 CONTROL CABLES	PAGE NO. 76	PLATE NO. : 38 CHAIN CASE	PAGE NO. 78

PLATE NO. : 39 HEADLAMP WITH FAIRING	PAGE NO. 80	PLATE NO. : 40 INDICATOR LIGHT ASSLY	PAGE NO. 82

# Pictorial Index

BM 125 X

PLATE NO. : 41  
TAIL LIGHT ASSLY /  
FR NUMBER PLATE

PAGE NO.  
84

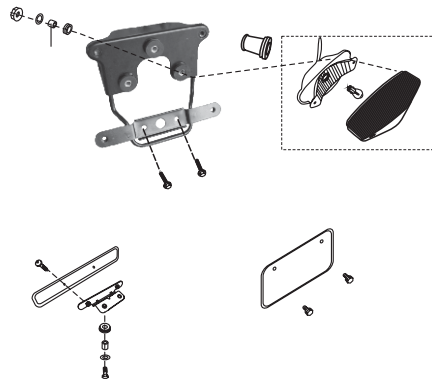


PLATE NO. : 42  
ELECTRICAL EQUIPMENTS

PAGE NO.  
86

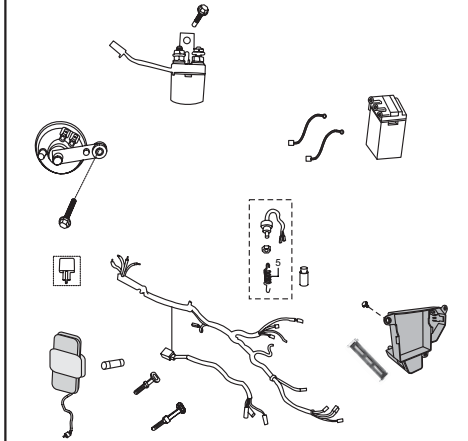


PLATE NO. : 43  
TOOL KIT

PAGE NO.  
88

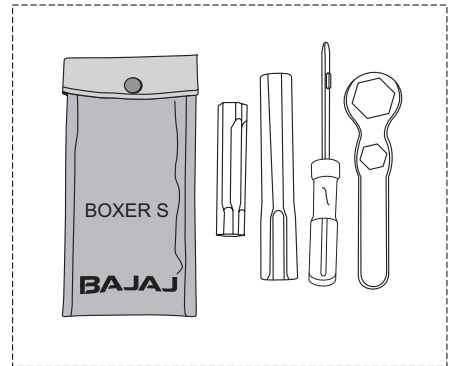
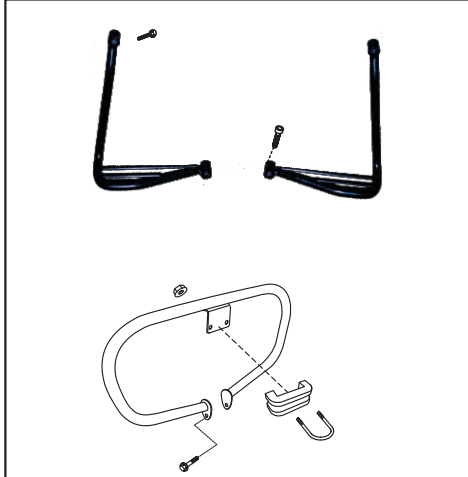


PLATE NO. : 44  
ACCESSORIES

PAGE NO.  
90

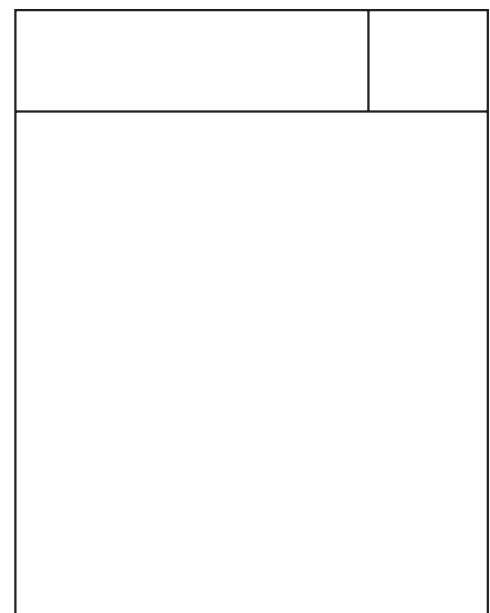
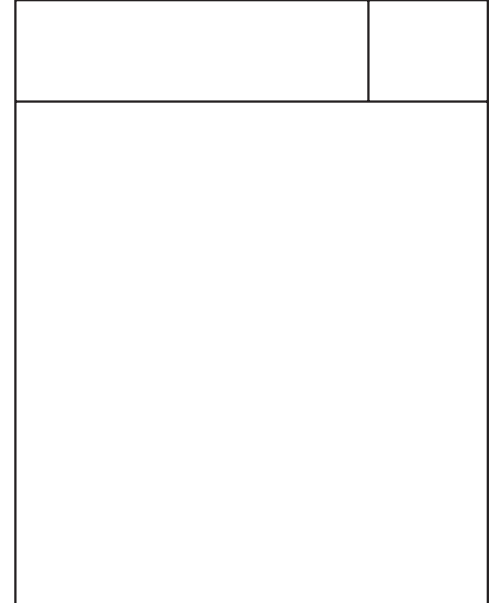
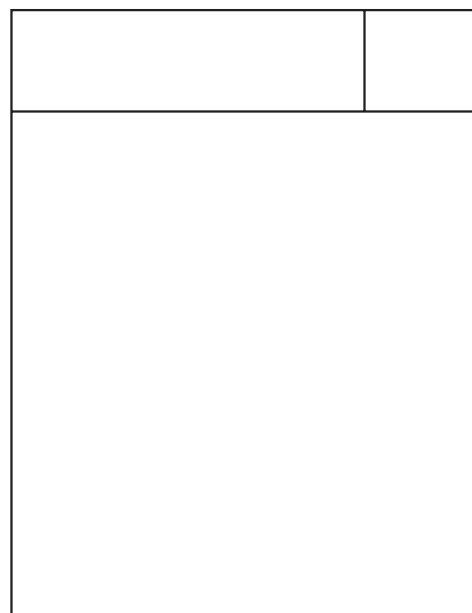


# Pictorial Index

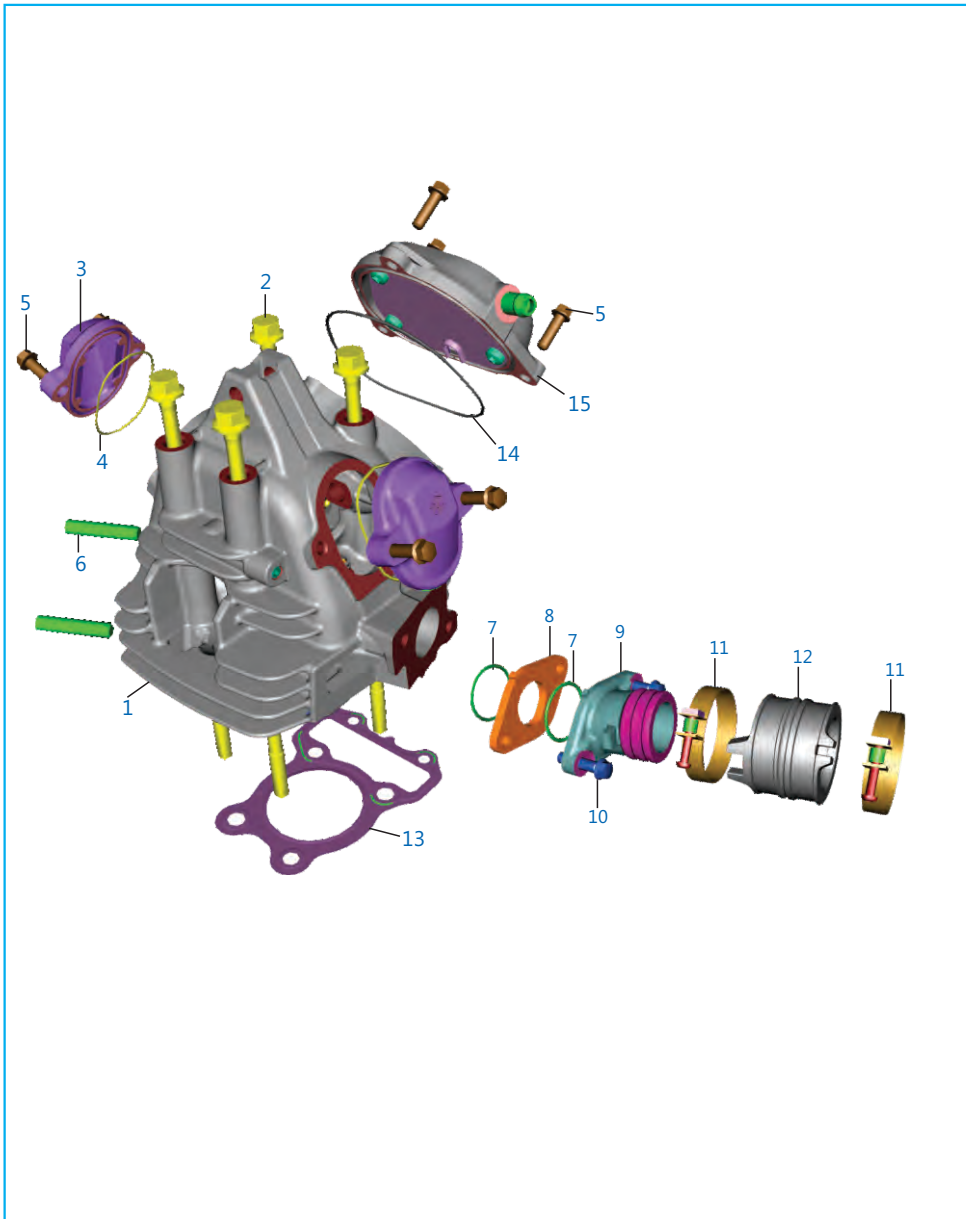
BM 125 X

PLATE NO. : 45  
PAINTED PARTS & DECALS

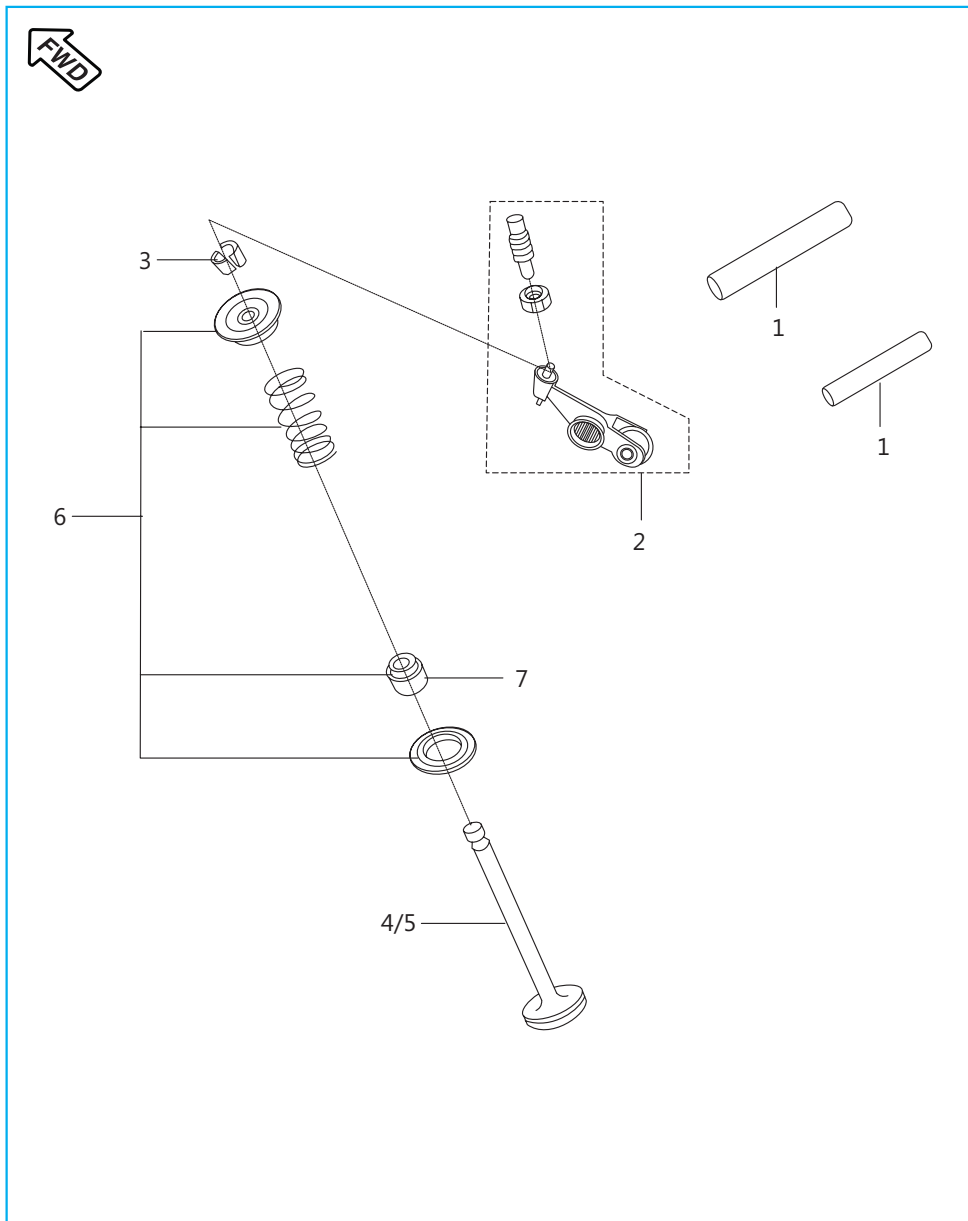
PAGE NO.  
92



Cover Cylinder Head

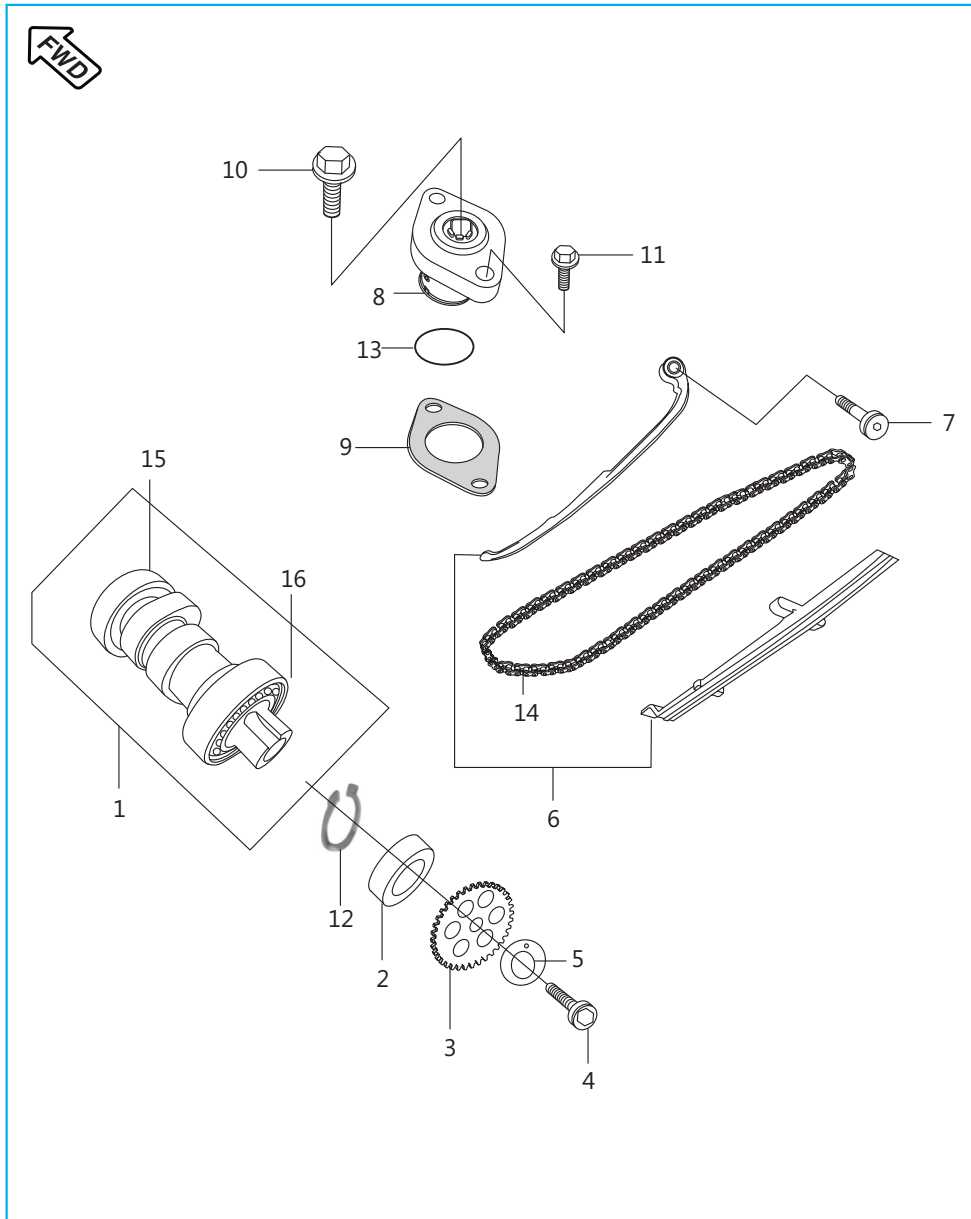


No.	Part No.	Description	Qty	Remarks
1	JV 5110 23	Cylinder Head	1	
2	LA D001 38	Bolt Flange M8	4	
3	52 JV01 44	Tappet Cover	2	
4	JH 5110 50	O Ring Tappet Cover	2	
5	KA ED06 20	Flange Bolt M6	4	
6	39 1660 05	Stud	2	
7	LJ A000 11	Ring O -id 28.7 X Sect. Dia. 1.9	2	
8	JV 5814 04	Insulator Pipe Intake	1	
9	52 JV01 80	Manifold Intake	1	
10	KA ED06 25	Bolt-flange	2	
11	DP 1011 98	Clamp	2	
12	PF 5814 02	Sleeve	1	
13	JH 5110 44	Gasket Head	1	
14	JH 5110 45	Ring O OHC Cover	1	
15	52 JV01 45	Assembly OHC Cover	1	



Valve

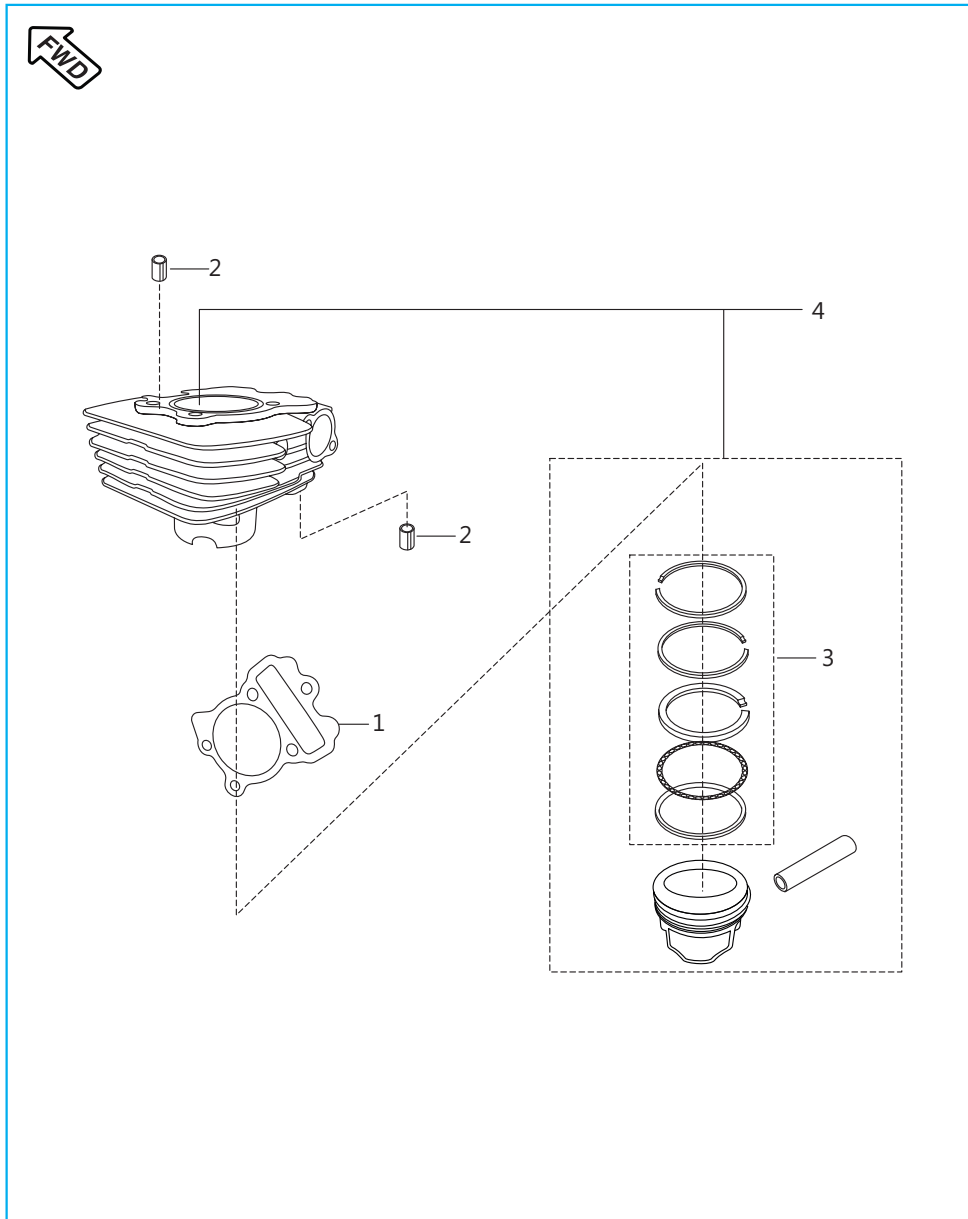
No.	Part No.	Description	Qty	Remarks
1	DK 1017 51	Shaft Rocker Arm	2	
2	JH 5112 10	Rocker Arm with Roller	2	
3	CB 1010 22	Cotter Valve (Collet)	4	
4	DY 5112 00	Valve Intake B105a	1	
5	DY 5112 01	Valve Exhaust B105a	1	
6	36 JH00 29	Kit Valve Repair	1	
7	CB 1010 09	Seal Valve Stem	2	



Camshaft / Tensioner

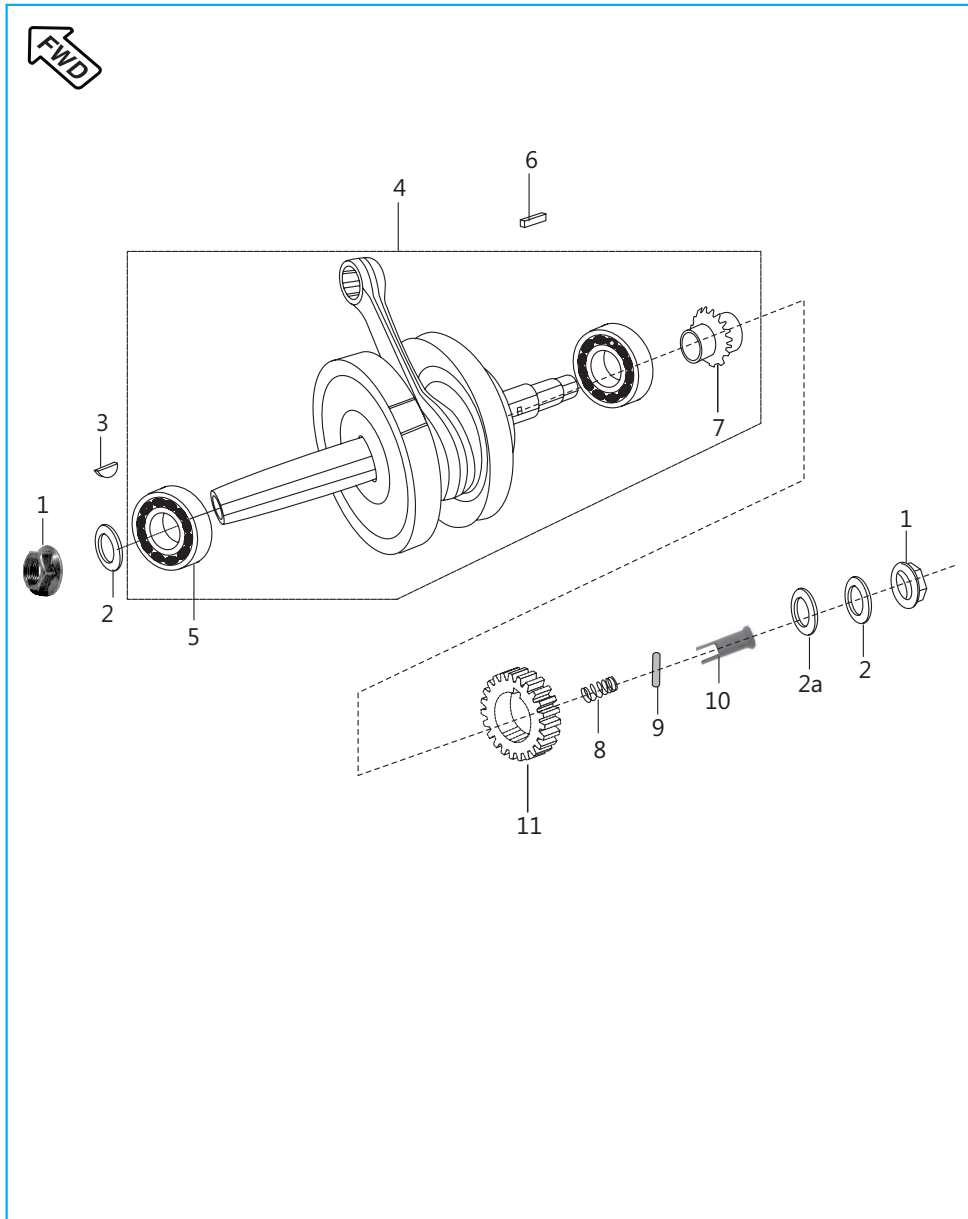
No.	Part No.	Description	Qty	Remarks
1	DY 5112 04	Camshaft Complete	1	
2	JA 5112 16	Spacer Cam Sprocket	1	
3	DS 1012 76	Sprocket Cam Shaft - 32 T	1	
4	DK 1013 86	Hexagon Socket Head Cap Bolt	1	
5	DH 1010 48	Special Washer Cam Shaft	1	
6	36 PA01 15	Guide Chain Kit	1	
7	DH 1013 92	Cam chain Tensioner Pivot Bolt	1	
8	JH 5210 05	Chain Tensioner	1	
9	CS 1011 28	Gasket	1	
10	DD 1010 62	Bolt M6 Chain Tensioner	1	
11	KA ED06 20	Bolt M6 X 20 Silver	2	
12	39 0594 17	Circlip for Camshaft	1	
13	39 2669 21	'O' Ring (Tensioner)	1	
14	JE 5112 30	Cam Chain	1	
15	JE 5110 49	Bearing Ball - Small 15 X 32 X 9	1	
16	39 2683 20	Bearing Ball - Big 17 X 35 X 10	1	

Cylinder and Piston



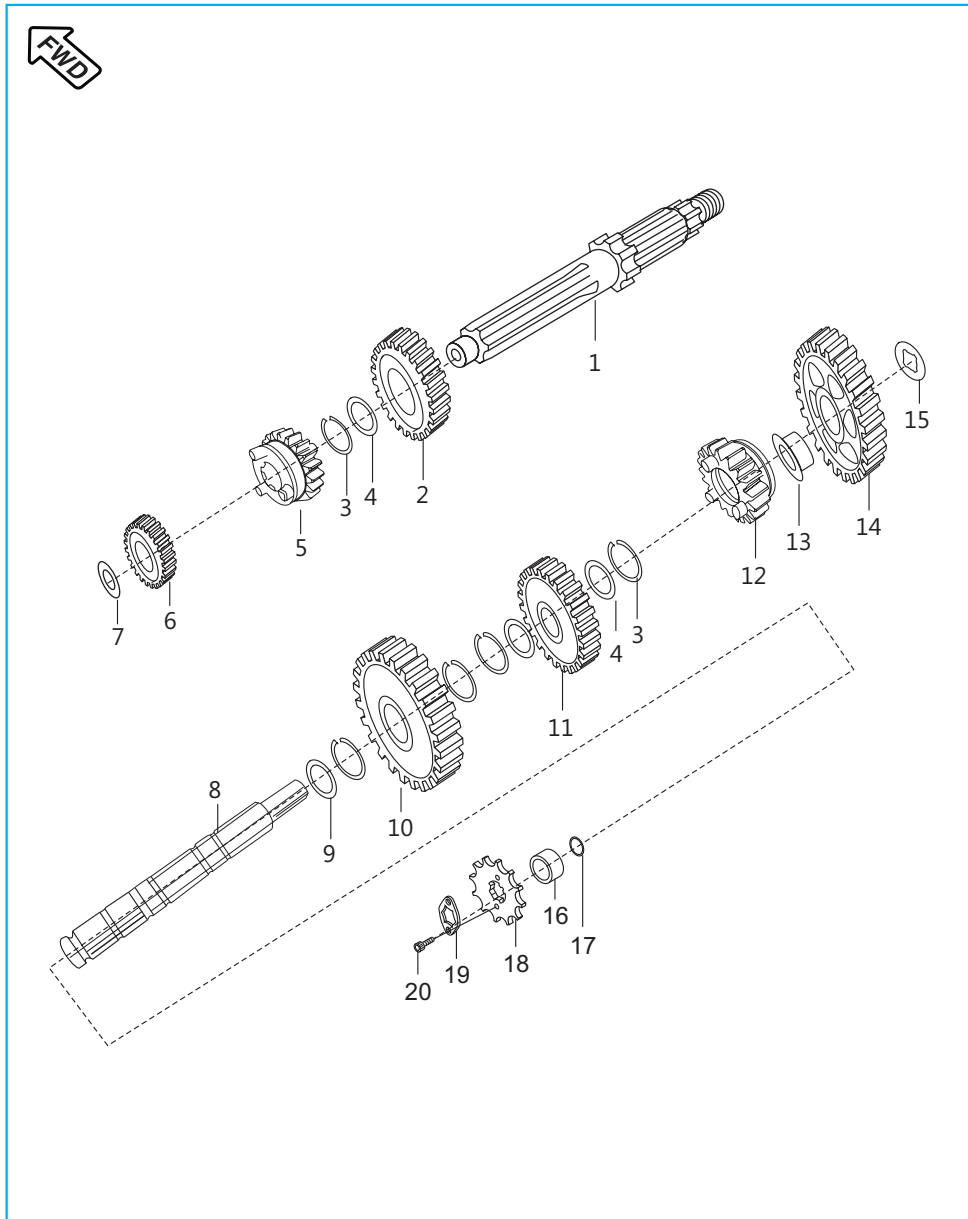
No.	Part No.	Description	Qty	Remarks
1	JH 5210 07	Gasket Cylinder Block	1	
2	39 1000 06	Dowel Pin	2	
3	36 JH00 32	Piston Ring Set	1	
4	36 JV00 12	Kit Cylinder Block / Piston Assly.	1	





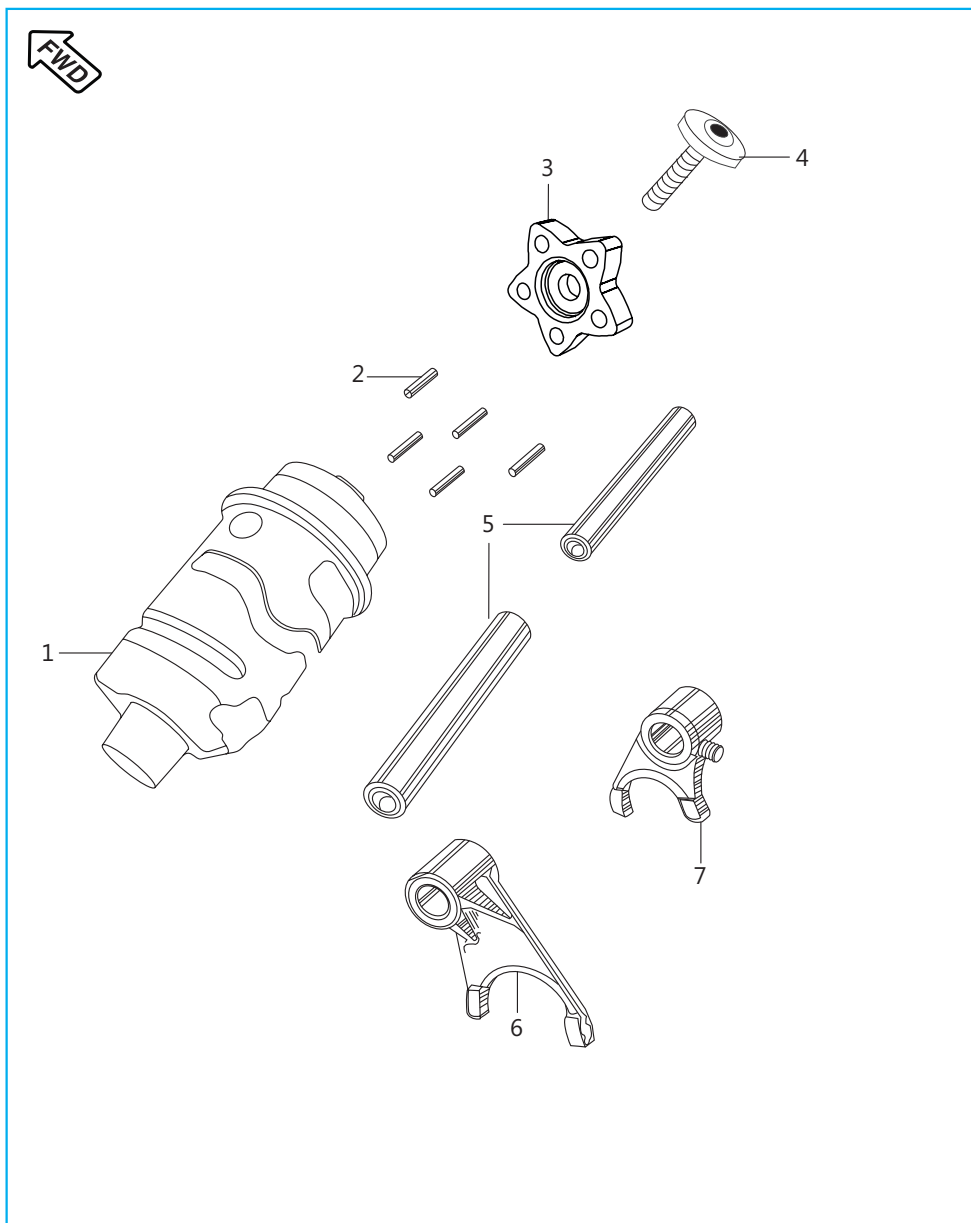
Crankshaft

No.	Part No.	Description	Qty	Remarks
1	59 1500 14	Flange Nut	2	
2	JE 5514 09	Belleville Washer	2	
2a	LD A00025	Plain Washer	1	
3	31 1011 73	Key Woodruff	1	
4	JV 5310 04	Crank Shaft Assly	1	
5	JE 5310 01	Ball Bearing 56 X 22 X 16	2	
6	DS 1011 54	Parallel Key	1	
7	JD 5310 03	Sprocket Camshaft Drive		
8	JA 5310 12	Spring	1	
9	JA 5310 15	Pin Crank Shaft Plunger	1	
10	JB 5310 21	Plunger Oil Crank Shaft	1	
11	JZ 5310 06	Gear Primary Drive	1	



Transmission

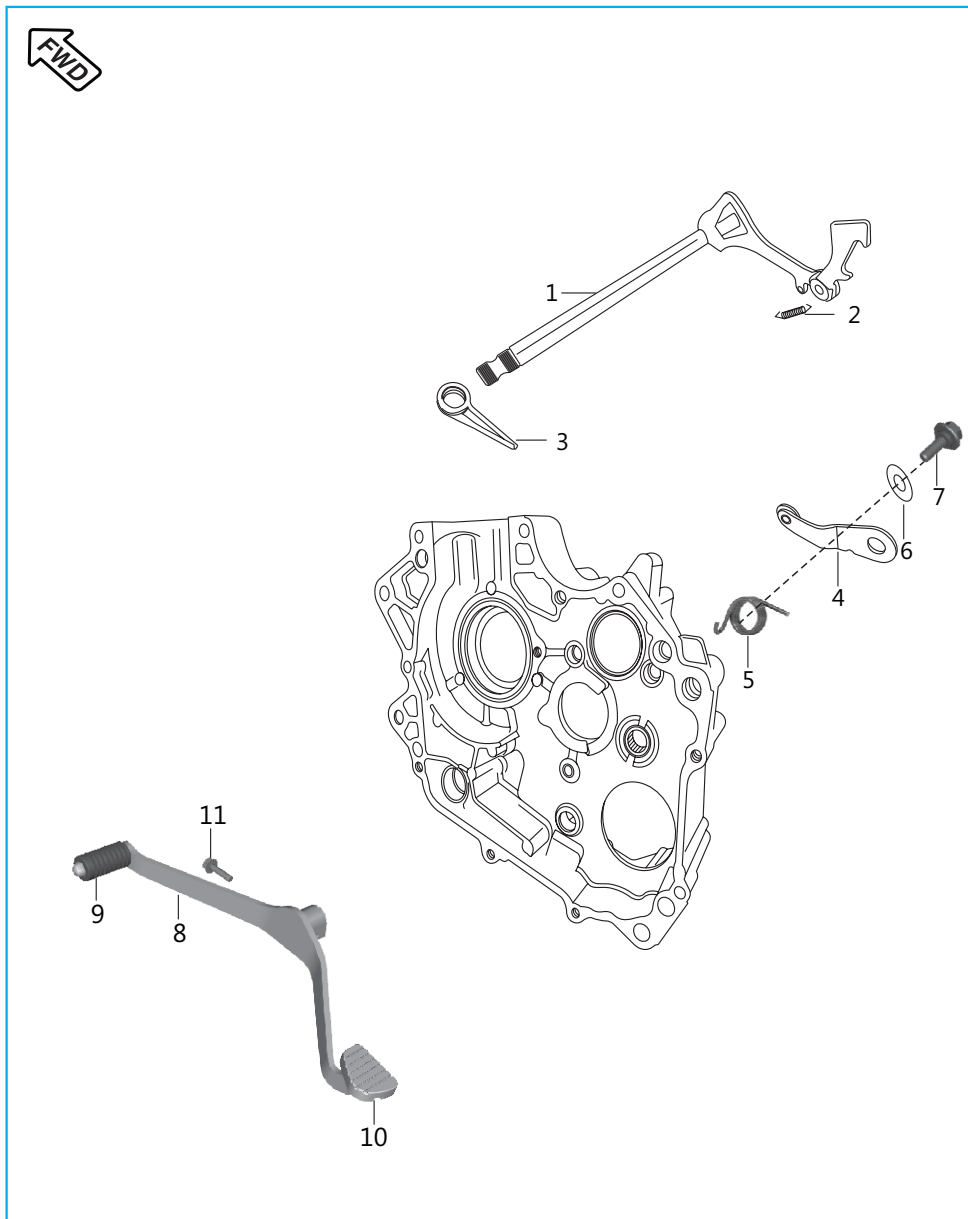
No.	Part No.	Description	Qty	Remarks
1	PA 5510 02	Shaft Input Transmission (Drive)	1	
2	PA 5512 07	Gear 4th Drive	1	
3	39 0987 17	Ring Snap (17.2 X 20.5 X 1.5)	5	
4	JA 5510 02	Spline Washer (17.2 X 20.5 X 1.5)	3	
5	PF 5512 01	Gear 3rd Drive	1	
6	PF 5512 00	Gear 2nd Drive	1	
7	JA 5510 04	Washer Thrust 2nd Drive	1	
8	PF 5510 03	Shaft Output Transmission (Driven)	1	
9	PF 5512 06	2nd Driven Washer	1	
10	PF 5512 03	Gear 2nd Driven	1	
11	PF 5512 04	Gear 3rd Driven	1	
12	PA 5512 06	Gear 4th Driven	1	
13	JZ 5512 05	Bush 1st Driven	1	
14	PA 5512 05	Gear 1st Driven	1	
15	JA 5510 08	Washer Thrust 1st Driven	1	
16	JA 5510 09	Collar Sprocket Drive	1	
17	59 2100 24	'O' Ring Collar Sprocket (13.8 X 1.9)	1	
18	JZ 5510 04	Sprocket Drive (Engine Sprocket)	1	
19	DU 1012 13	Plate Lock Sprocket	1	
20	39 1981 04	Socket Head Bolt	2	



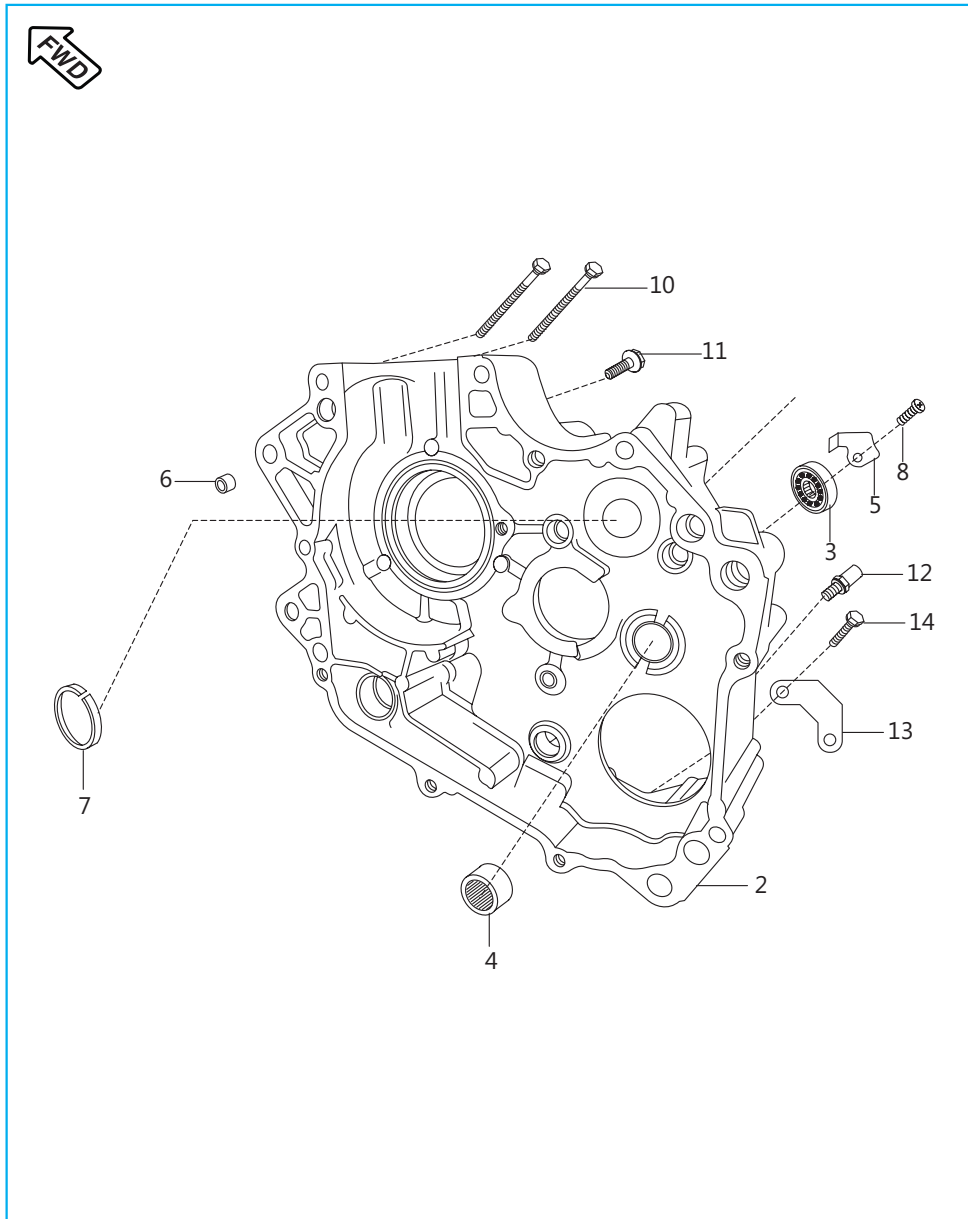
### Change Drum / Shift Fork

No.	Part No.	Description	Qty	Remarks
1	PF 5610 00	Drum Complete Gear Shift	1	
2	39 0992 06	Dowel (Pin Drum Change)	5	
3	JA 5610 02	Cam Drum Change	1	
4	JD 5610 11	Special Bolt Drum Change	1	
5	PF 5610 02	Shaft Gear Shift Fork	2	
6	JD 5610 04	Fork Gear Shift Output	1	
7	JZ 5610 02	Fork Gear Shift Input	1	

Gear Change Mechanism



No.	Part No.	Description	Qty	Remarks
1	PF 5612 00	Lever Gear Shift Comp	1	
2	JW 5612 06	Extension Spring	1	
3	JW 5612 08	Spring Gear Shift Return	1	
4	JH 5612 00	Inhibitor Complete Gear Shift	1	
5	PF 5612 09	Spring Inhibitor	1	
6	LD B000 44	Plain Washer	1	
7	39 0817 15	Hex Nut / Flange - M6	1	
8	JZ 5614 15	Assembly Gear Shift Lever	1	
9	DH 1015 09	Damper	1	
10	JH 5614 04	Rubber Damper	1	
11	39 1902 04	Flange Bolt	1	

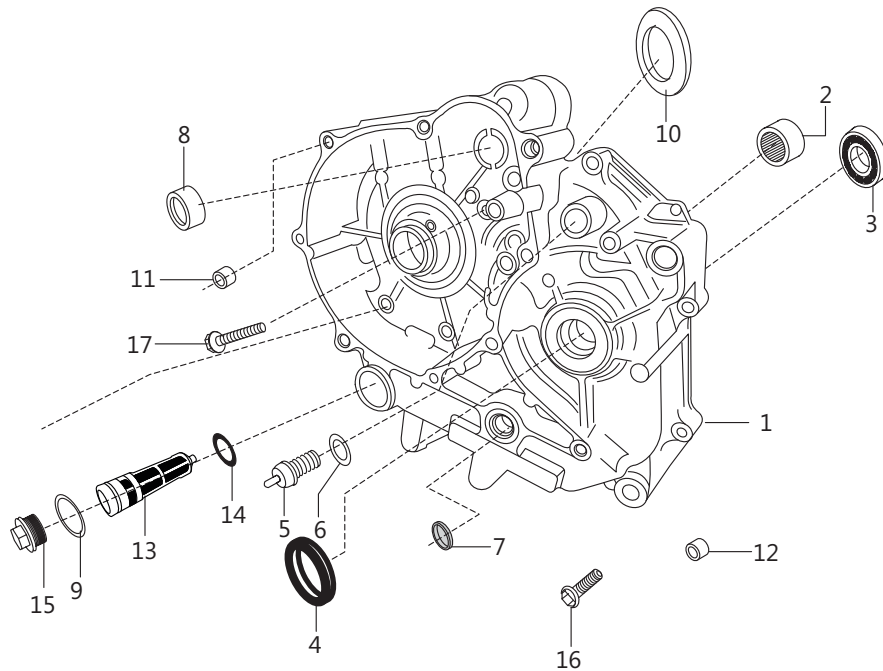
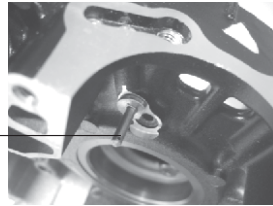


Engine Assembly / Crankcase RH

No.	Part No.	Description	Qty	Remarks
1	JV 5010 08	Engine Assly	1	N.I.
2	36 JV00 13	Kit Crankcase RH	1	
	36 PA02 10	Kit Assly Crankcase RH	1	Ref. Cir. IB - 321
3	59 2000 36	6203 Ball Bearing	1	For I/P Shaft.
4	JA 5410 11	Needle Roller Bearing	1	For O/P Shaft.
	KP BF62 01	Bearing Ball C3 Clearances	1	Ref. Cir. IB - 321
5	JA 5410 10	Stopper Plate	1	
6	39 1000 06	Dowel Pin	2	
7	PF 5410 18	Bushing Drum BM-150	1	
8	DH 1013 80	Screw	1	
10	JV 5412 16	Bolt M6 X 85 Silver	2	
11	59 0400 38	Flange Bolt	1	
12	52 JA00 29	Bolt Shift Change	1	
13	JA 5410 12	Guide Kick	1	
14	DH 1016 39	Screw	2	



Nozzle Oil Jet  
(Press Fitted)



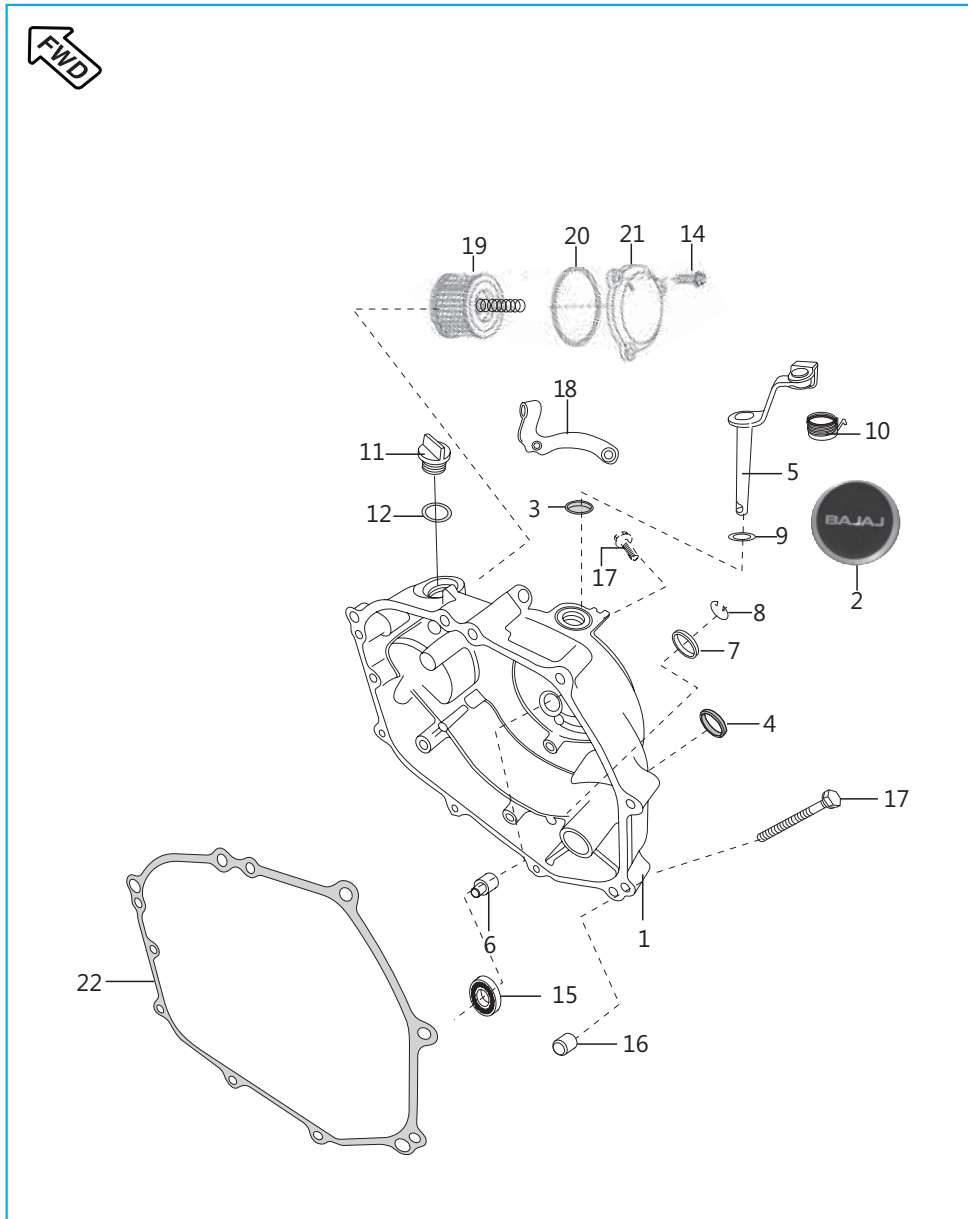
Front Wheel Direction

Crankcase LH

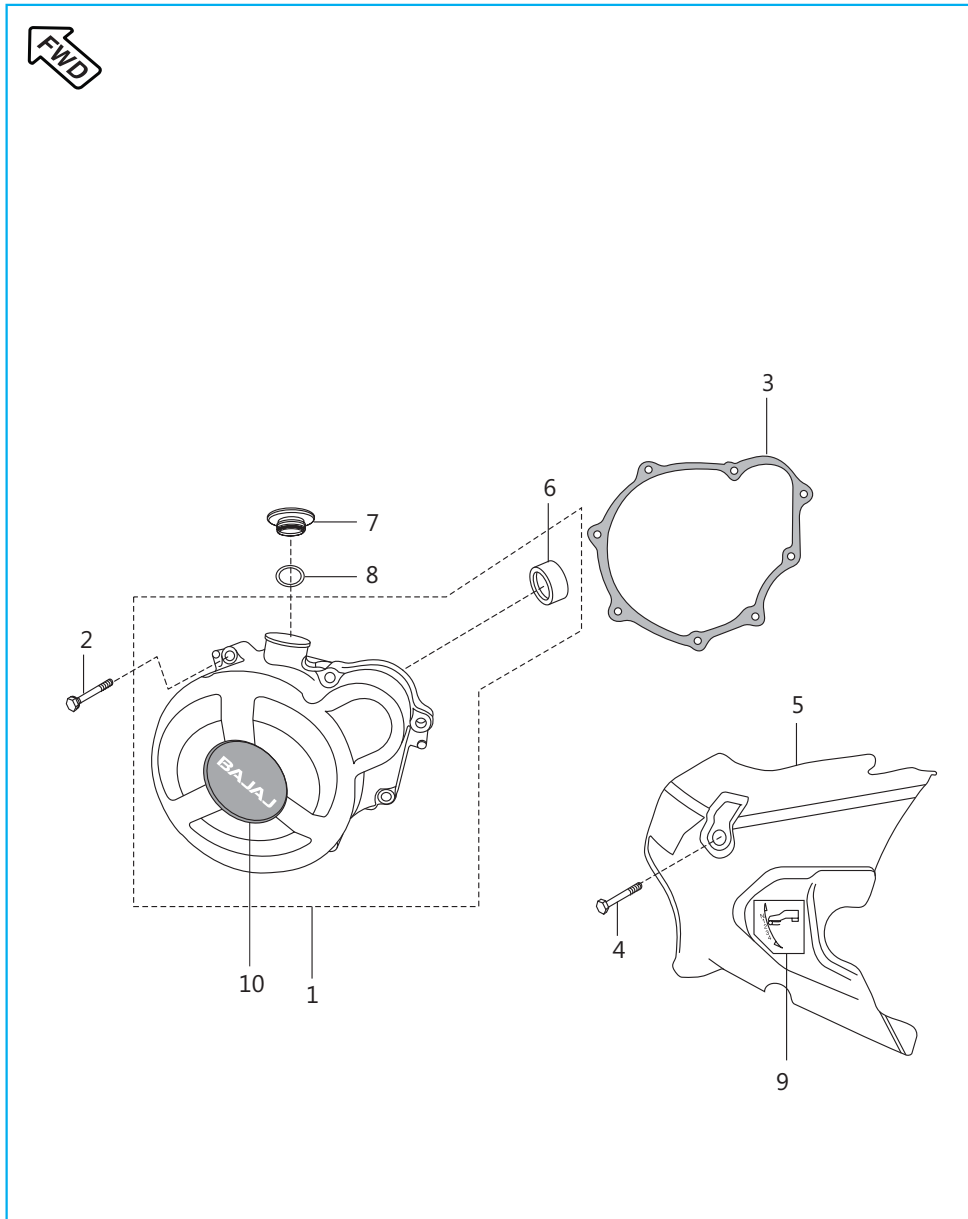
No.	Part No.	Description	Qty	Remarks
1	PF 5410 29	Assembly Crankcase LH B104d	1	NRB + Bush
2	39 2562 20	Needle Roller Bearing	1	
3	59 2000 36	6203 Ball Bearing	1	
4	39 1715 19	Seal Oil	1	Output Shaft
5	31 2010 81	Switch Complete	1	Neutral Switch
6	DH 1017 84	Gasket Neutral Switch (T.I.S)	1	
7	39 2190 19	Oil Seal	1	Shifter Shaft
8	JA 5410 05	Bush Bendix	1	
9	59 2100 23	Ring 'O'	1	
10	JE 5410 38	Damper Crankshaft	1	
11	39 1000 06	Pin Dowel	4	
12	39 0999 06	Hollow Dowel Pin	4	
13	JG 5710 24	Mesh Oil Filter Assembly	1	
14	LJ A000 04	'O' Ring Strainer	1	
15	JV 5410 06	Cap Oil Filter	1	
16	59 0400 38	Flange - Bolt	6	
17	59 0400 38	Bolt	1	Crankcase Mounting




Cover RH



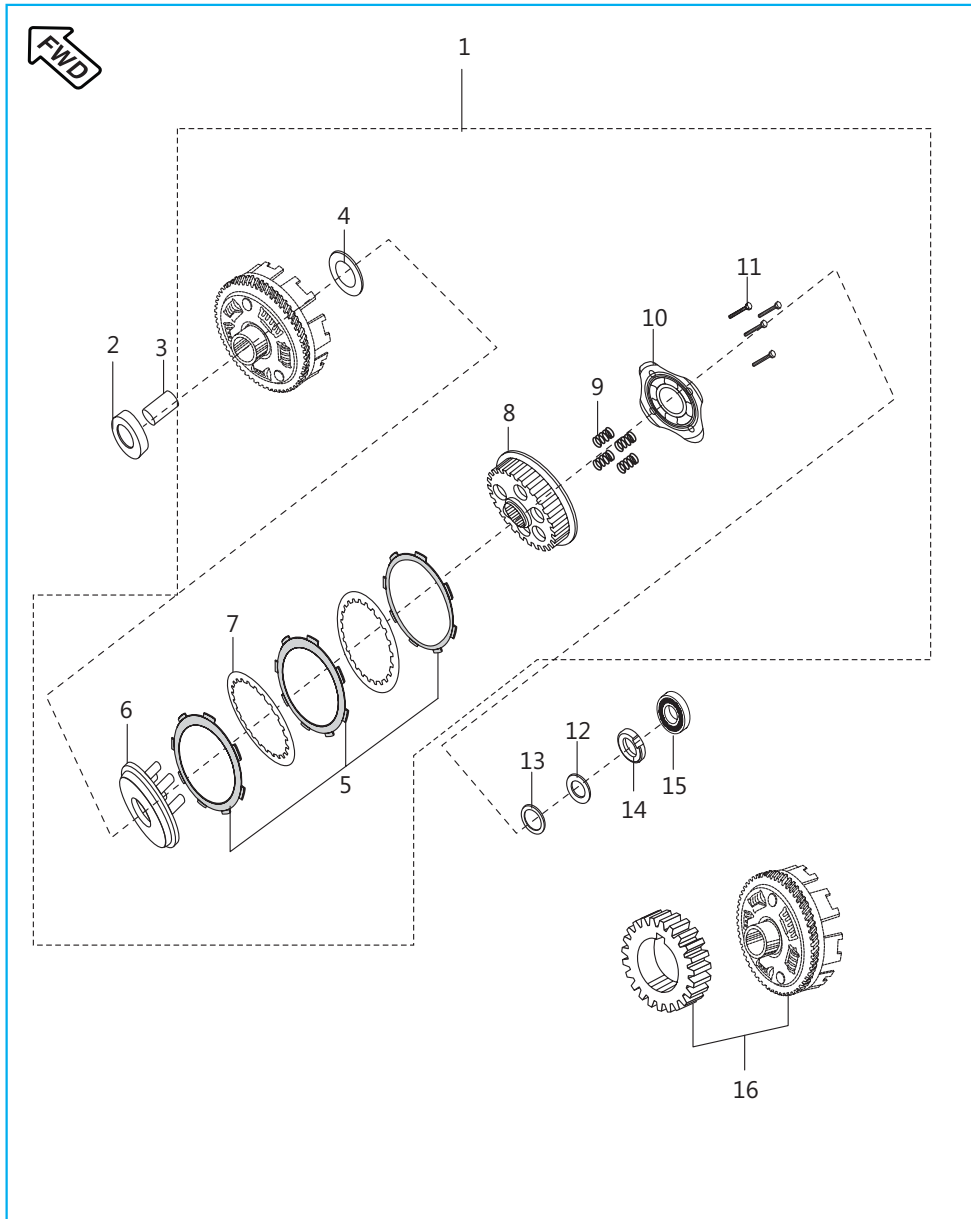
No.	Part No.	Description	Qty	Remarks
1	56 JV1V 3Q	Cover Assembly Clutch	1	
2	JV 5412 25	Label Cover Boxer	1	
3	39 1041 19	Oil Seal Clutch Lever	1	
4	30 1011 42	Oil Seal (Kick Shaft)	1	
5	JV 5412 08	Shaft Clutch Release	1	
6	PF 5514 07	Rod Push	1	
7	JL 5412 27	Gauge	1	Oil Level Check
8	DS 1012 15	Wire Circilp	1	
9	JE 5412 13	Plain Washer	1	
10	JE 5412 14	Spring Torsion Clutch Lever	1	
11	JA 5412 11	Cap Oil Filler	1	
12	JA 5412 25	'O' Ring Cap Oil Filler	1	
13	JK 5412 12	Damper Clutch Cover PL BM-150	1	
14	LA E000 05	Bolt Flange	3	
15	14 1510 33	Bearing- Ball	1	
16	39 0999 06	Pin Hollow Dowel	2	
17	JV 5410 07	Bolt Flange	8	
18	PF 5412 55	Bracket Clutch Cable	1	
19	DD 1211 81	Oil Filter Element	1	
20	39 1671 21	'O' Ring	1	
21	PF 5412 54	Cap Filter	1	
22	JA 5412 12	Gasket Clutch Cover	1	



 Front Wheel Direction

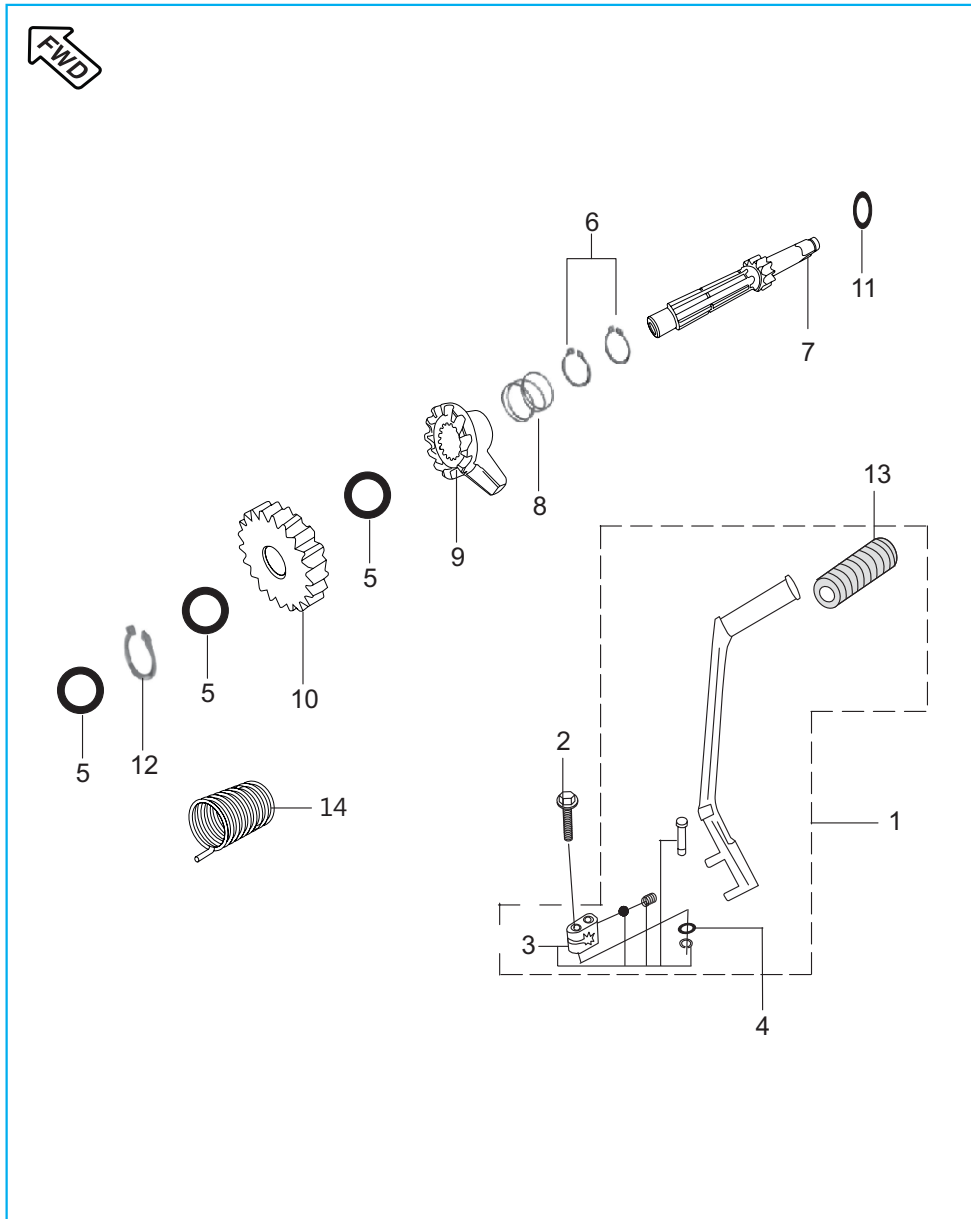
### Cover Magneto

No.	Part No.	Description	Qty	Remarks
1	PF 5412 37	Cover Magneto	1	
2	59 0400 38	Bolt M8 Silver colour	7	
3	PF 5412 40	Gasket Magneto Cover	1	
4	59 0400 38	Bolt	2	
5	PF 5412 65	Cover LH Rear Complete	1	
6	JA 5410 05	Bush	1	For Drive Gear Assly
7	JA 5412 33	Cap TDC Finder	1	
8	30 1011 95	'O' Ring	1	
9	DS 1611 50	Sticker Gear Shifting	1	
10	PF 5412 49	Decal	1	



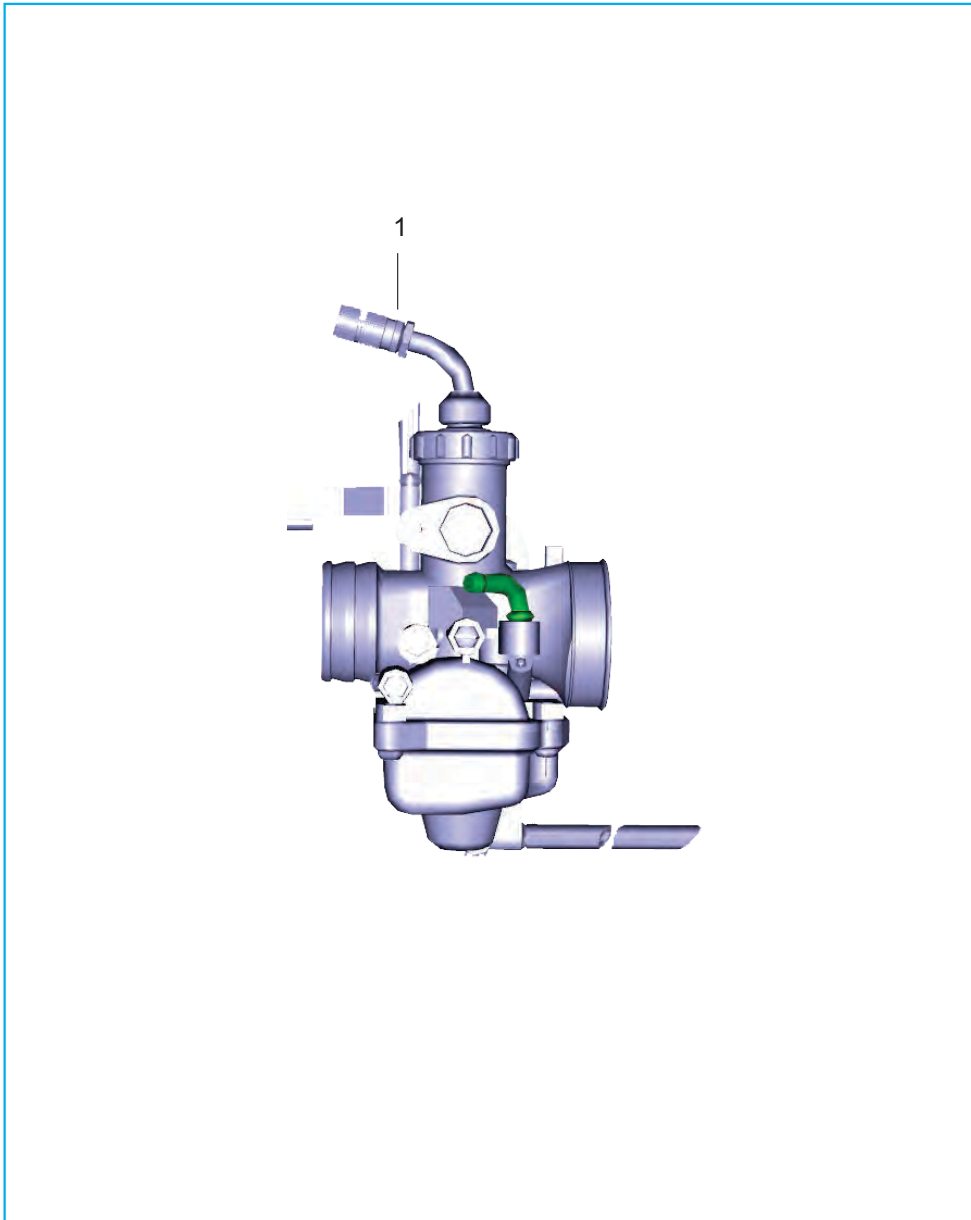
Clutch

No.	Part No.	Description	Qty	Remarks
1	JZ 5514 13	Clutch Assembly Complete	1	
1a	JZ 5514 14	Assembly Clutch	1	N.I.
2	DS 1510 60	Spacer Clutch Assly	1	
3	JA 5514 06	Collar Clutch	1	
4	39 2600 11	Washer	1	
5	36 JE00 24	Kit Plate Friction	1	
6	JB 5514 08	Wheel Clutch	1	
7	30 1010 96	Plate Clutch (Steel Plate)	4	
8	JB 5514 11	Hub Clutch	1	
9	JZ 5514 15	Compression Spring	4	
10	JB 5514 06	Holder Clutch	1	
11	39 1553 04	Bolt Flange M6	4	
12	JE 5514 09	Belleville Washer	1	
13	39 0240 11	Plain Washer	1	
14	52 JA00 28	Nut Special Clutch Center Lock	1	
15	39 1001 20	Bearing - Ball	1	
16	36 JZ00 23	Set Primary Drive & Driven	1	



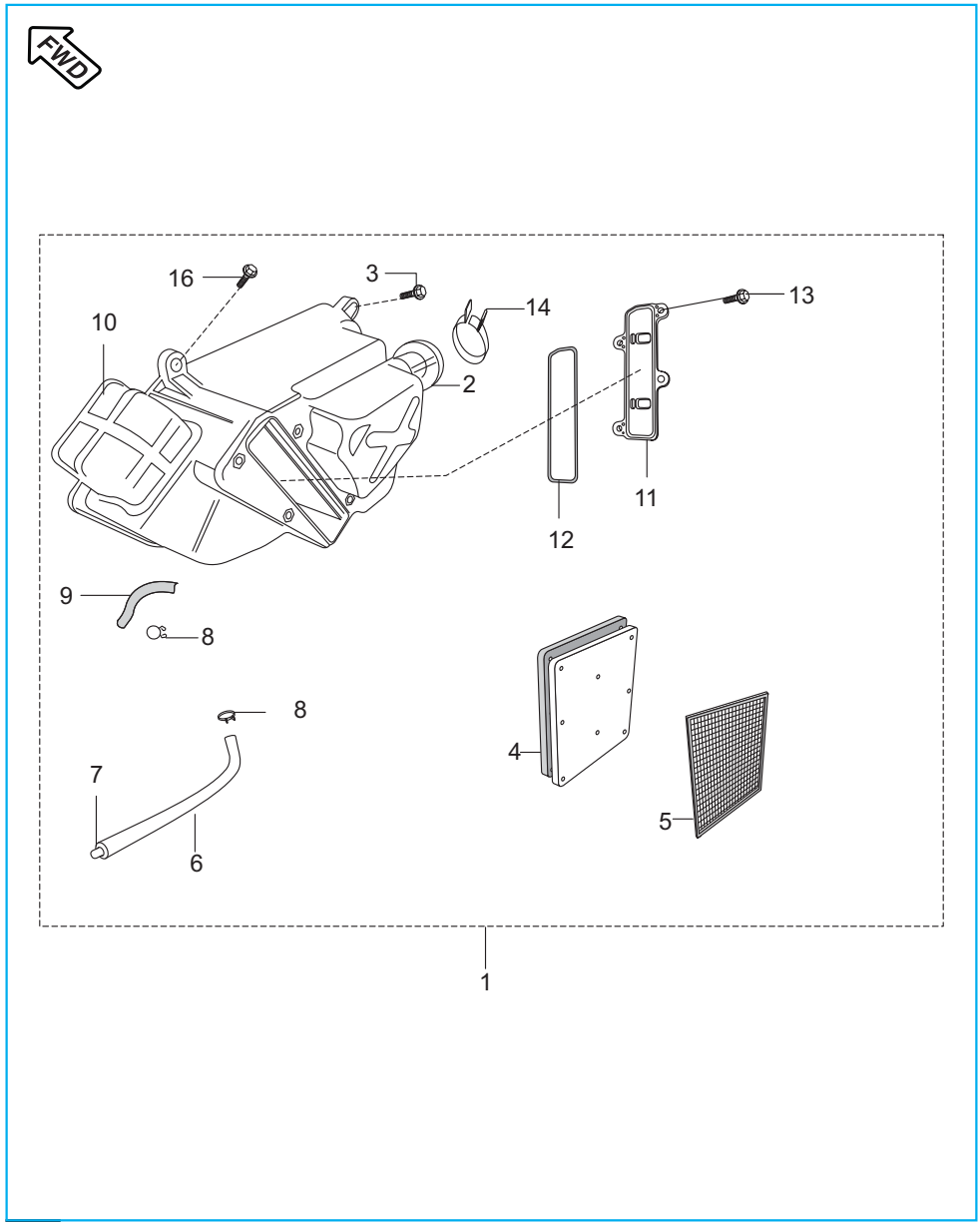
### Kick Starter Mechanism

No.	Part No.	Description	Qty	Remarks
1	JA 6212 01	Lever Assly Kick	1	
2	JA 6212 06	Bolt Special	1	
3	36 DU10 07	Boss Kick Set	1	
4	22 1502 41	Plain Washer	1	
5	39 0993 11	Plain Washer Small	3	
6	39 0738 17	Circlip Shaft	2	
7	PF 6210 03	Shaft Kick	1	
8	DS 1011 17	Spring Kick Starter Ratchet	1	
9	JA 6210 02	Ratchet	1	
10	PF 6210 05	Gear Kick Pinion	1	
11	JA 6210 06	Washer Thrust (16.2 X 25 X 0.5)	1	
12	39 2408 17	Circlip	1	
13	DD 1010 97	Kick Rubber	1	
14	JE 6210 03	Spring Kick Starter Return	1	



Carburettor Assly

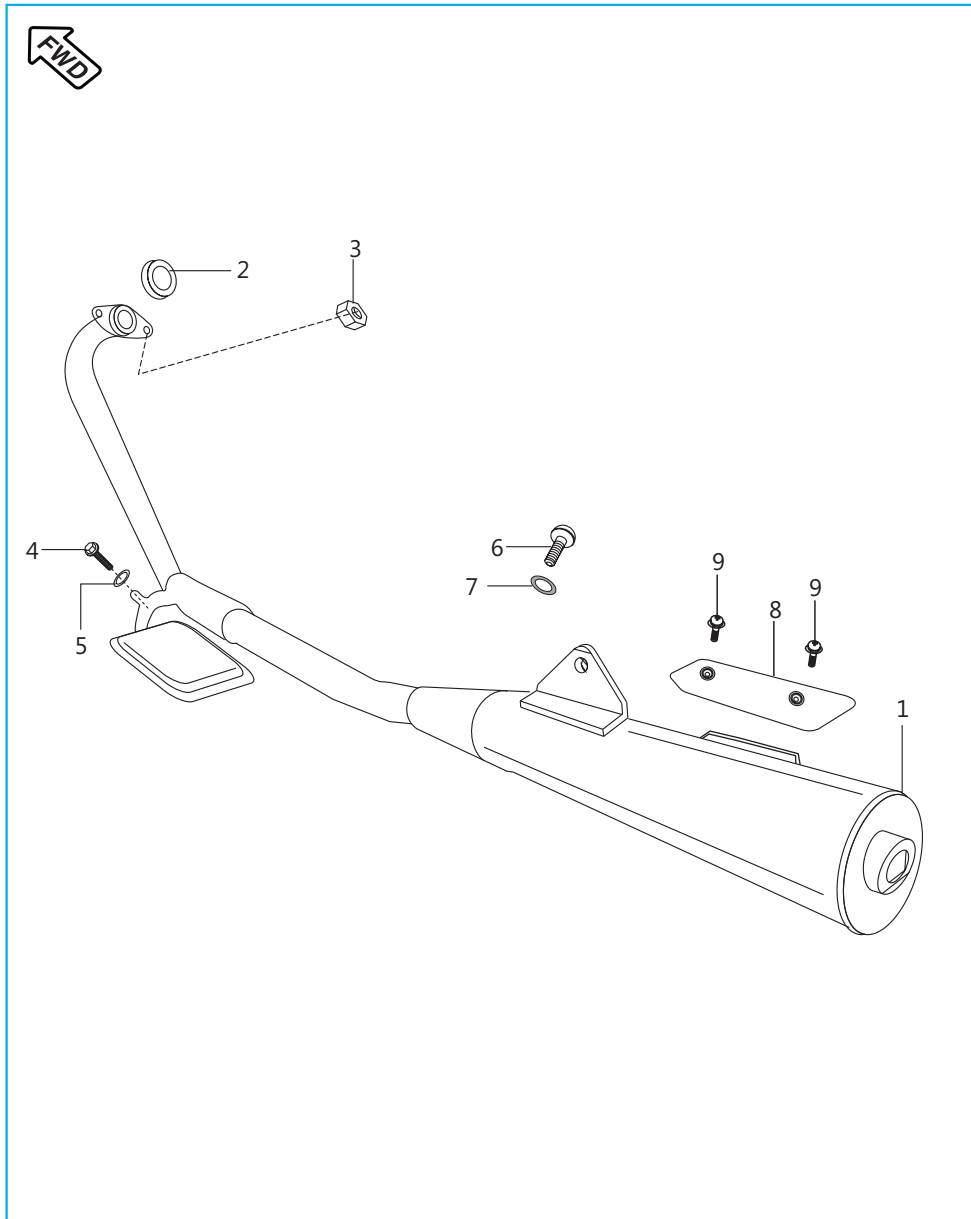
No.	Part No.	Description	Qty	Remarks
1	JV 5812 04	Carburettor Assembly	1	



Air Cleaner Complete

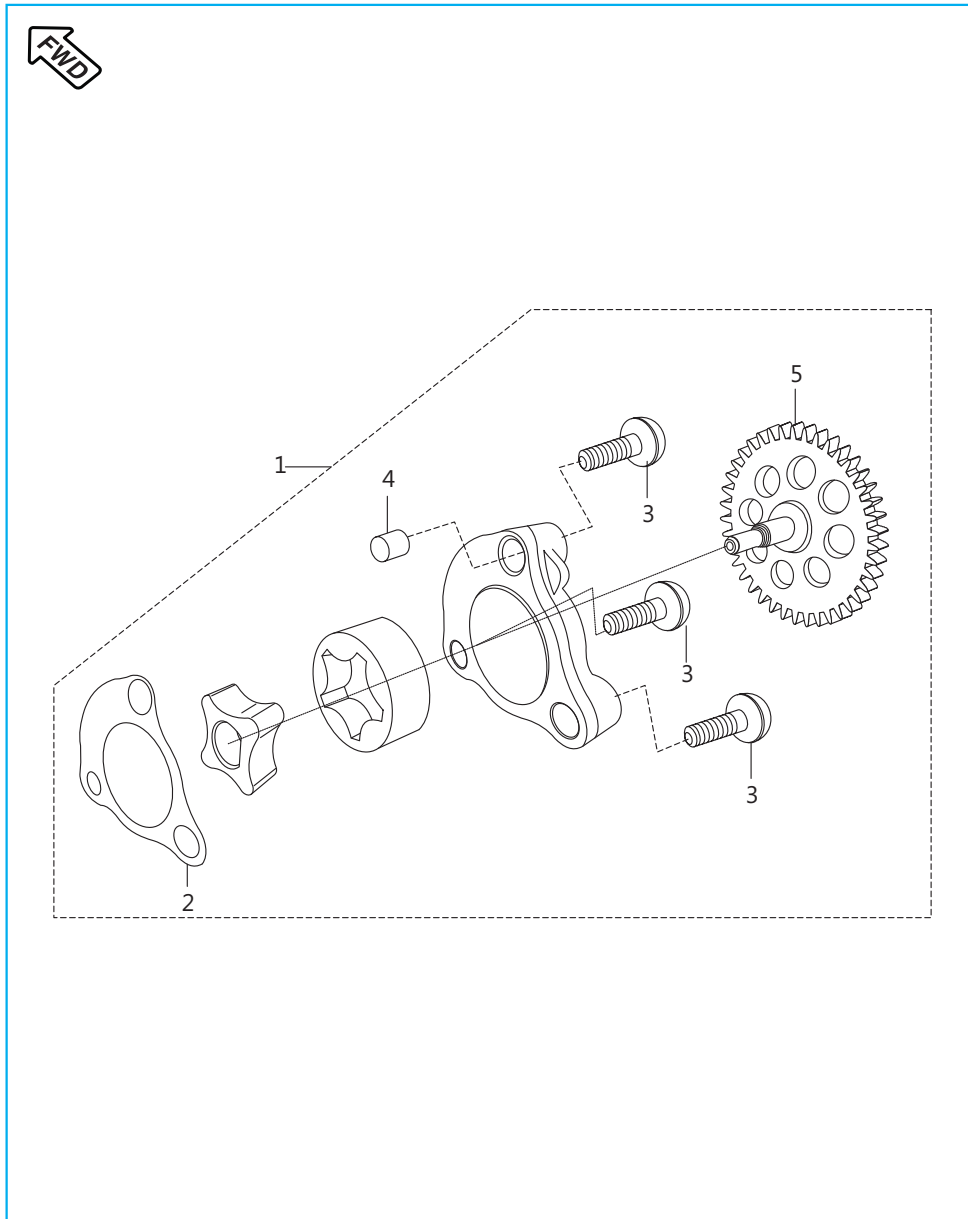
No.	Part No.	Description	Qty	Remarks
1	PF 5810 03	Air Filter Assly	1	
2	PF 5810 02	Duct Air Intake	1	
3	DF 1614 26	Bolt - Stepped with Flange	2	
4	PF 5810 12	Element Air Filter	1	
5	JA 5810 09	Flame Arrester	1	
6	JA 5810 12	Tube Drain	1	
7	DS 1211 26	Plug	1	
8	DP 1210 25	Clamp	1	
9	JA 5110 11	Hose Breather	1	
10	JB 5810 01	Air Intake Duct	1	
11	PF 5810 19	Cartridge Cover Assly.	1	
12	JA 5810 11	'O' Ring Cartridge Cover	1	
13	39 0758 01	Flange Bolt	4	
14	DP 1210 25	Clamp	1	
15	39 0553 02	Self Tapping Screw	2	
16	39 1677 04	Hex Head Screw	2	





Silencer Assembly

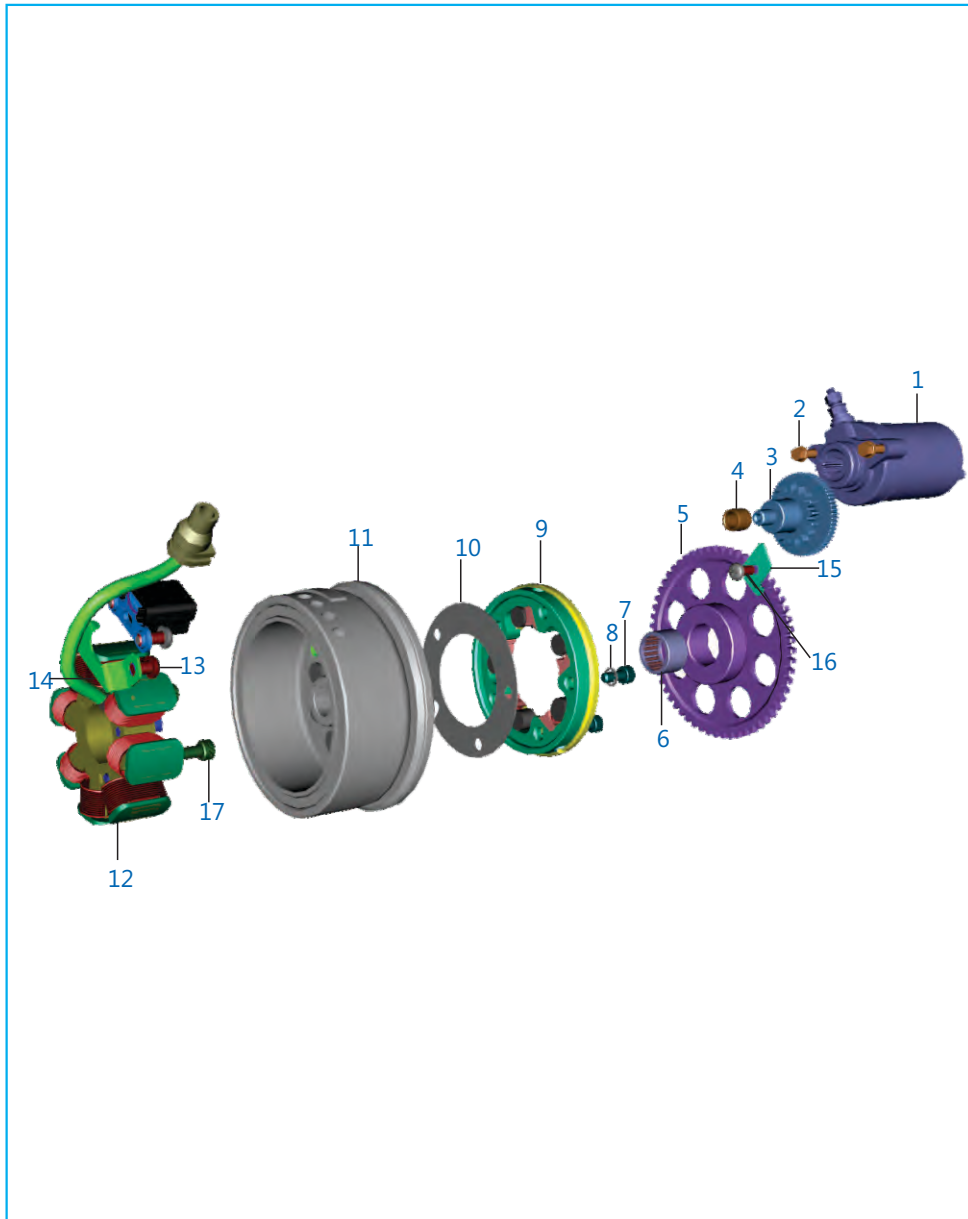
No.	Part No.	Description	Qty	Remarks
1	JV 5910 09	Silencer Assly	1	
2	JE 5910 02	Gasket Exhaust	1	
3	39 2295 15	Flange Nut	2	
4	39 2754 04	Bolt Hex with Flange M5	1	
5	39 2492 11	Plain Washer	1	
6	39 2722 04	Bolt M10 x 1.25	1	
7	JB 5910 68	Washer	2	
8	PF 5910 45	Shield Muffler	1	
9	JW 5910 28	Truss Screw	4	



Oil Pump

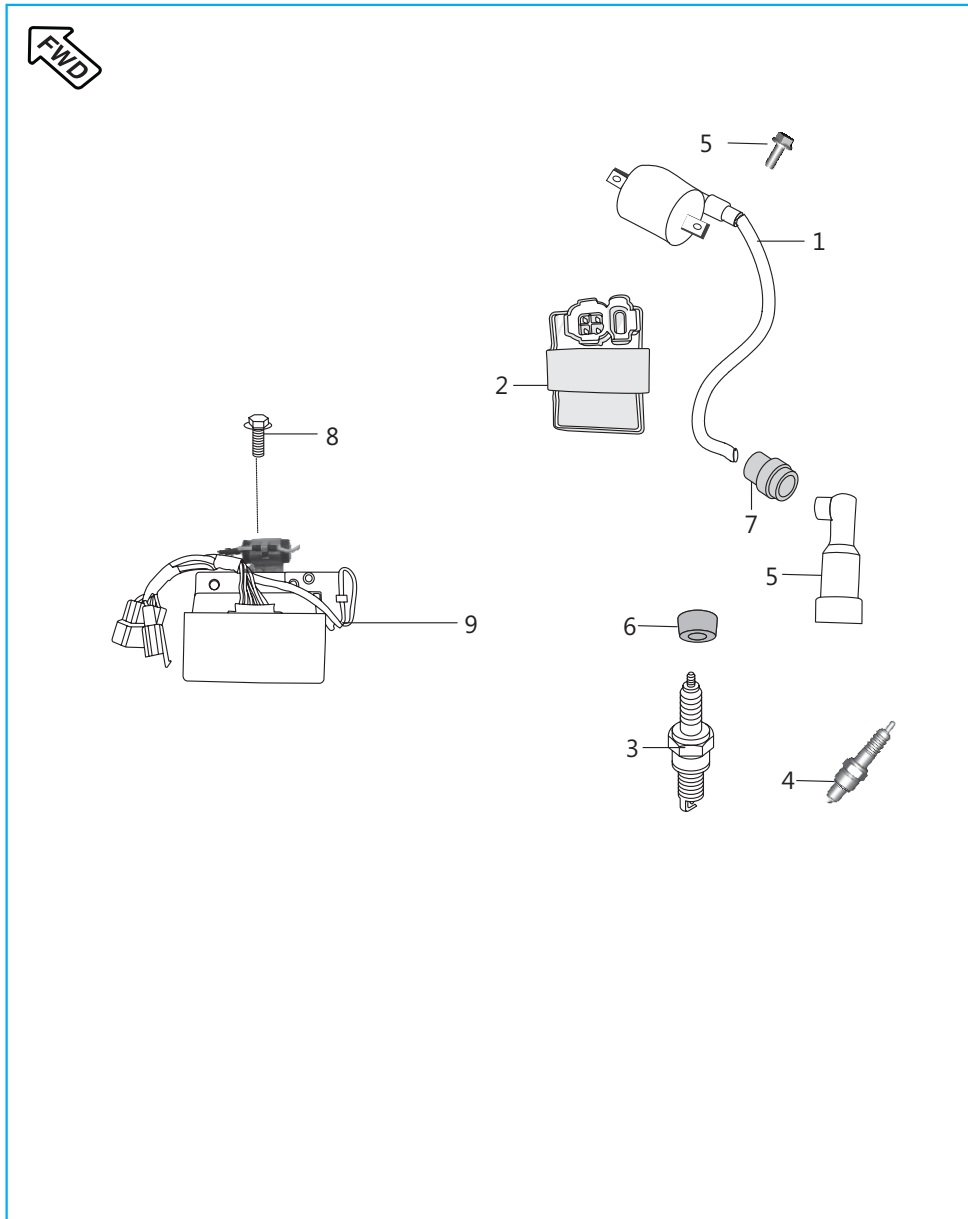
No.	Part No.	Description	Qty	Remarks
1	JZ 5710 00	Oil Pump Assly	1	
2	JA 5410 16	Gasket Case Oil Pump	1	
3	FD 1010 78	Pan Head Screw M6 X 1 X 3DL	3	
4	39 0999 06	Dowel	2	
5	JZ 5710 01	Gear Oil Pump Driven	1	

Starter Assembly

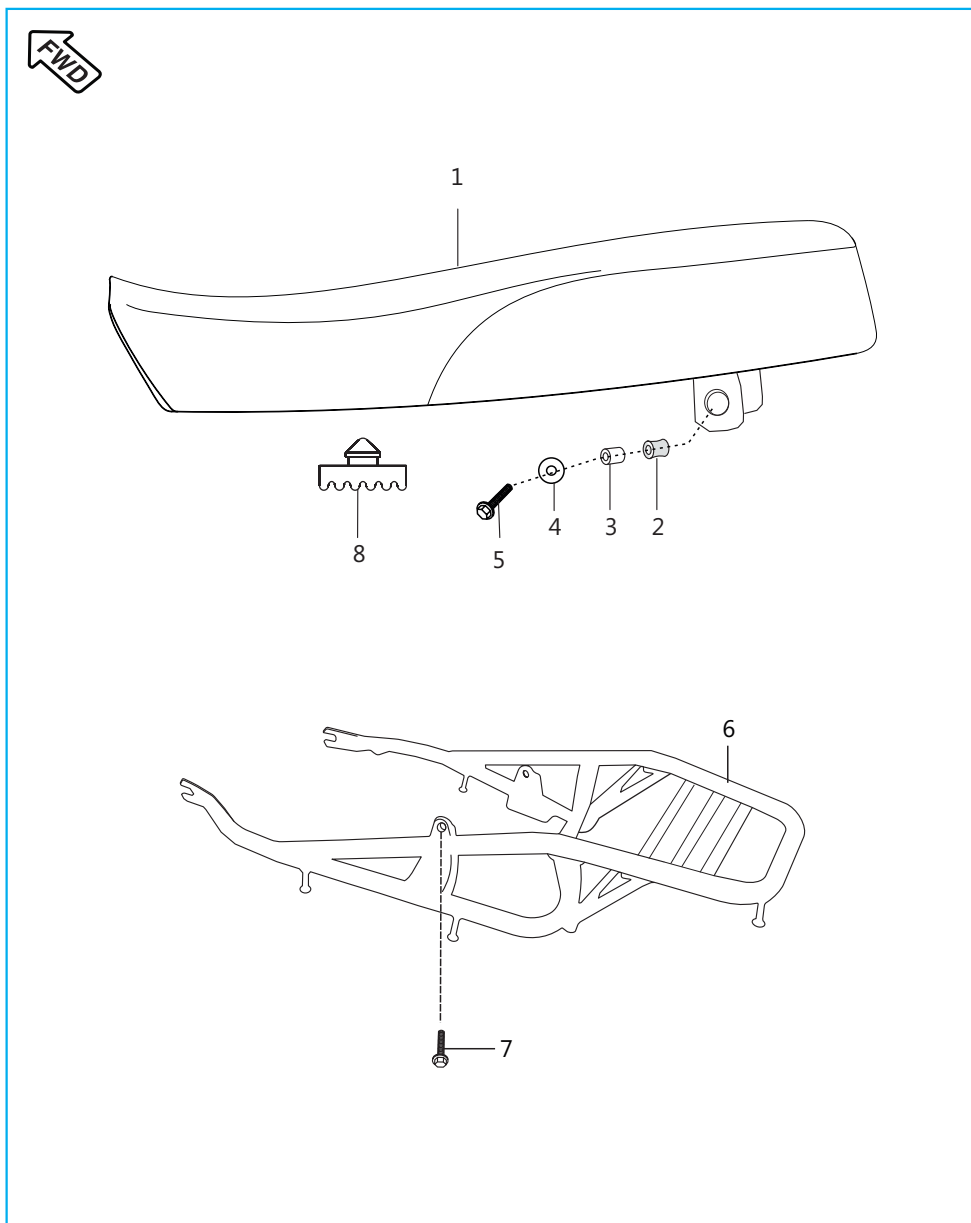


No.	Part No.	Description	Qty	Remarks
1	PF 3516 02	Starter Motor Assly.	1	
2	KA ED06 25	Flange Bolt	2	
3	PF 6214 00	Starter Drive Assly	1	
4	JA 5410 05	Bush	1	
5	PF 6214 03	Assembly Starter Gear	1	
6	JE 6214 03	Needle Roller Bearing	1	
7	39 0972 04	Bolt Socket	3	
8	39 0849 14	Washer	3	
9	DK 1015 95	One Way Clutch Roller	1	
10	DK 1016 05	Plate Roller Clutch	1	
11	DY 3510 02	Assly Rotor W/o Clutch	1	
12	DY 3510 04	Assly Starter	1	
13	DH 1013 80	Screw Pan Precoated	2	
14	PF 5412 42	Bracket Starter Harness	1	
15	JH 5410 21	Bracket Stopper Gear	1	
16	DH 1013 80	Screw Pan Head(m6x12)	1	
17	LA C000 52	Bolt	2	

Magneto, CDI & H.T. Coil

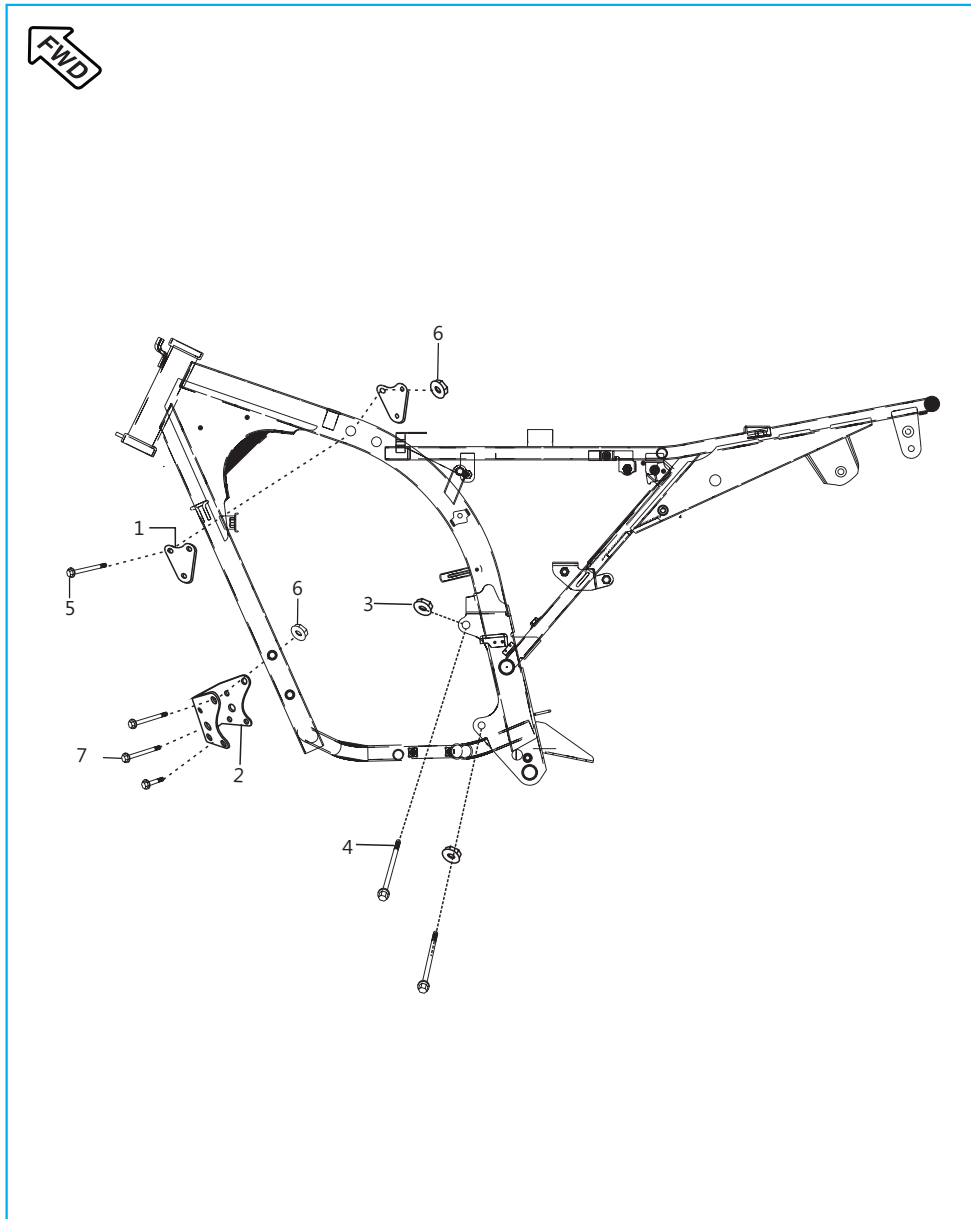


No.	Part No.	Description	Qty	Remarks
1	JV 3512 04	H. T. Coil With Cable	1	
2	JV 3512 13	C.D.I. Assly	1	
3	DD 1110 18	Spark Plug PRZ9 HC	1	
5	59 0400 14	Bolt Flange	4	For HT Coil Mounting
5	DD 1110 48	Spark Plug Cap	1	
6	DD 1110 11	Grommet Spark Plug Cap	1	
7	DD 1110 12	Grommet for HT Cable	1	
8	39 1943 04	Bolt Flange M6	2	
9	JN 4020 00	RR Unit With Capacitor	1	



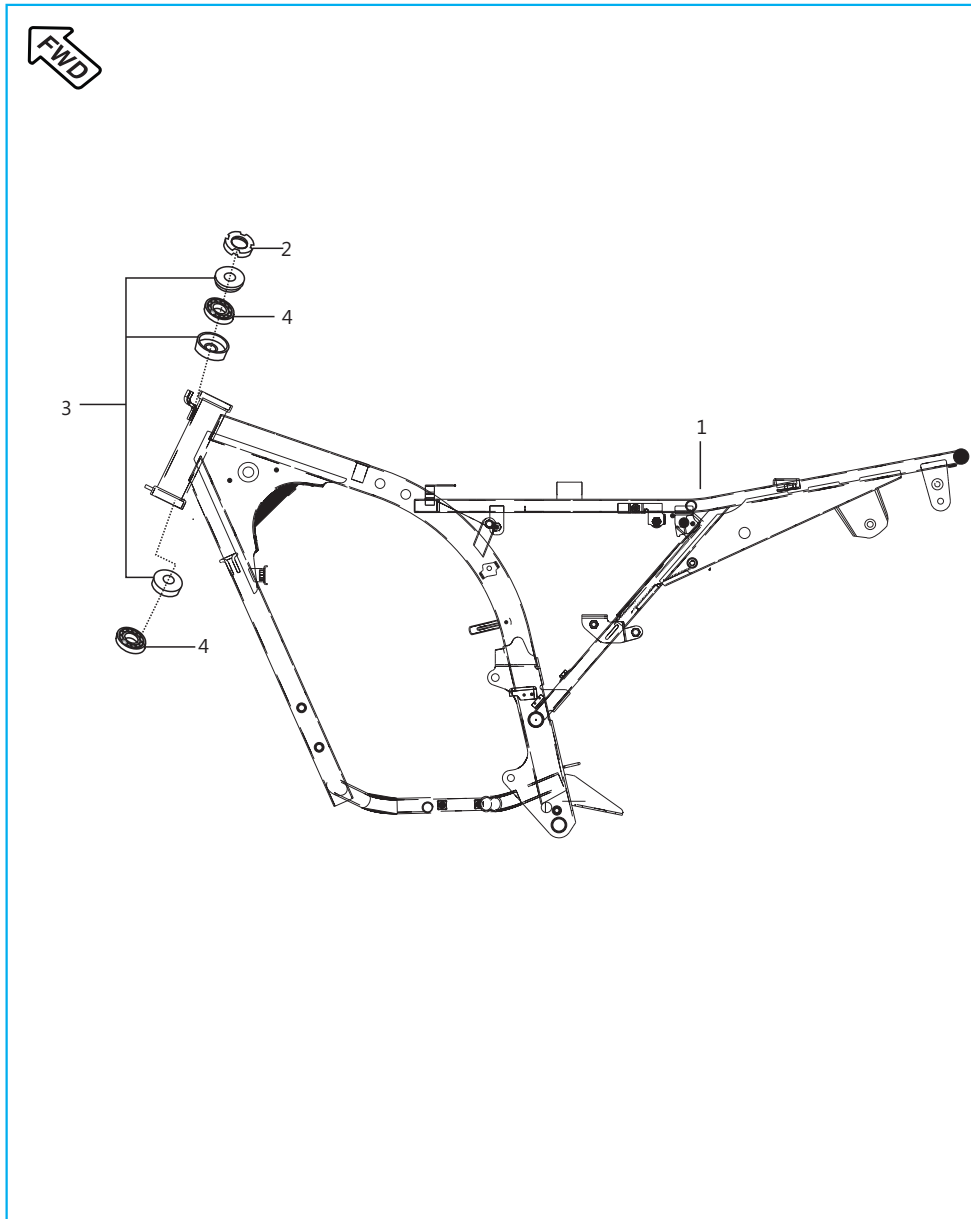
Seat Assembly

No.	Part No.	Description	Qty	Remarks
1	JV 1910 01	Seat assly. complete	1	
2	FD 2110 06	Grommet Seat	2	
3	FD 2110 07	Spacer Seat	2	
4	39 1211 11	Washer Plain	2	
5	LA C000 21	Bolt Hexagon Socket Head	2	
6	PF 2314 05	Grip Frame	1	
7	39 1556 04	Bolt Flange	2	
8	DP 2110 09	Damper For Seat	7	



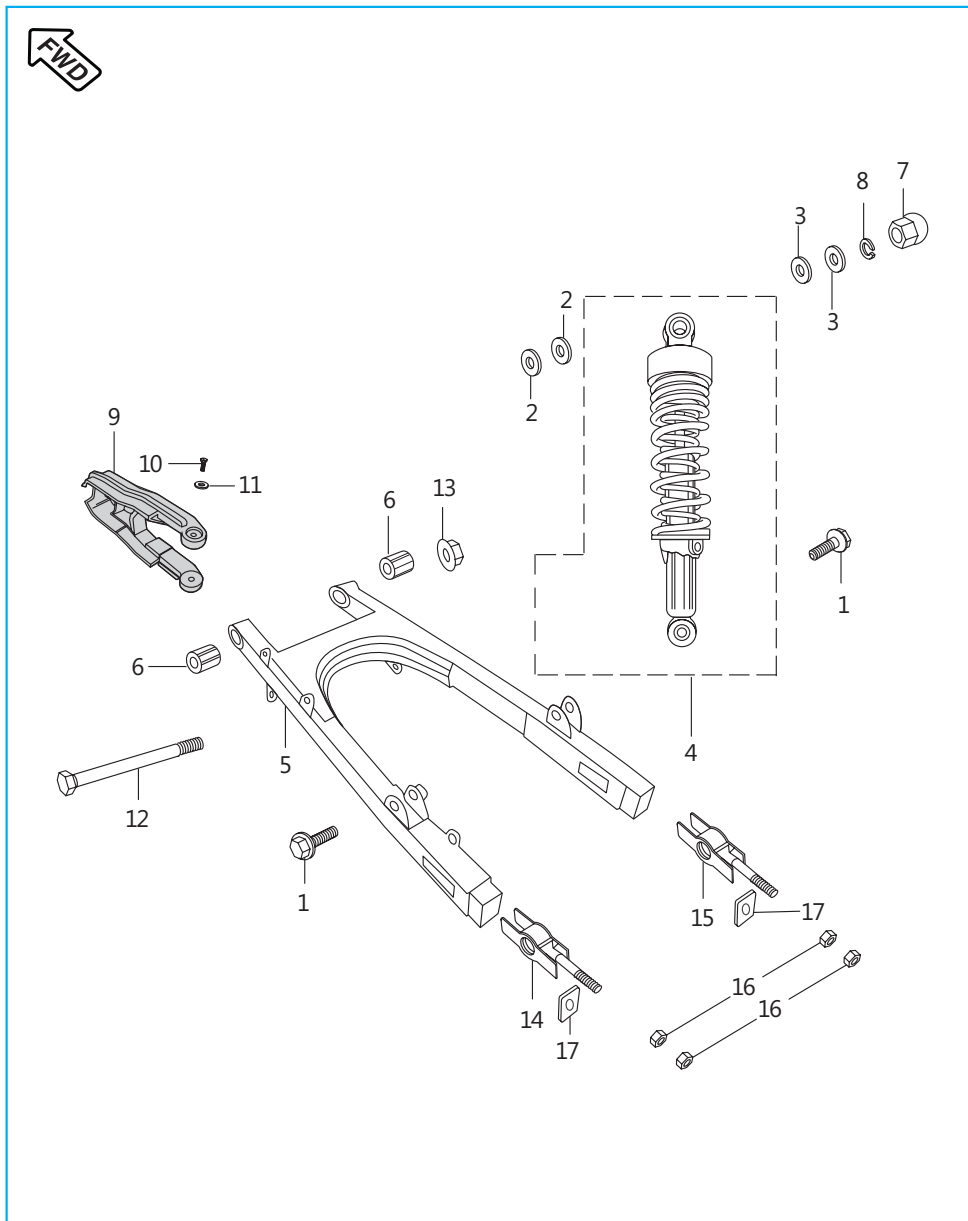
Engine Mountings

No.	Part No.	Description	Qty	Remarks
1	JV 1134 01	Bracket Engine Hanger	2	
2	JA 1134 02	Engine Mounting Bracket Front	1	
3	39 2723 15	Hex Nut Flanged	2	
4	KA DD10 B0	Bolt Flanged	2	
5	KA DD08 60	Bolt Flanged	3	
6	39 1970 15	Nut Flanged	7	
7	KA DD08 80	Hex Bolt Flanged	4	



Frame and Frame Fittings

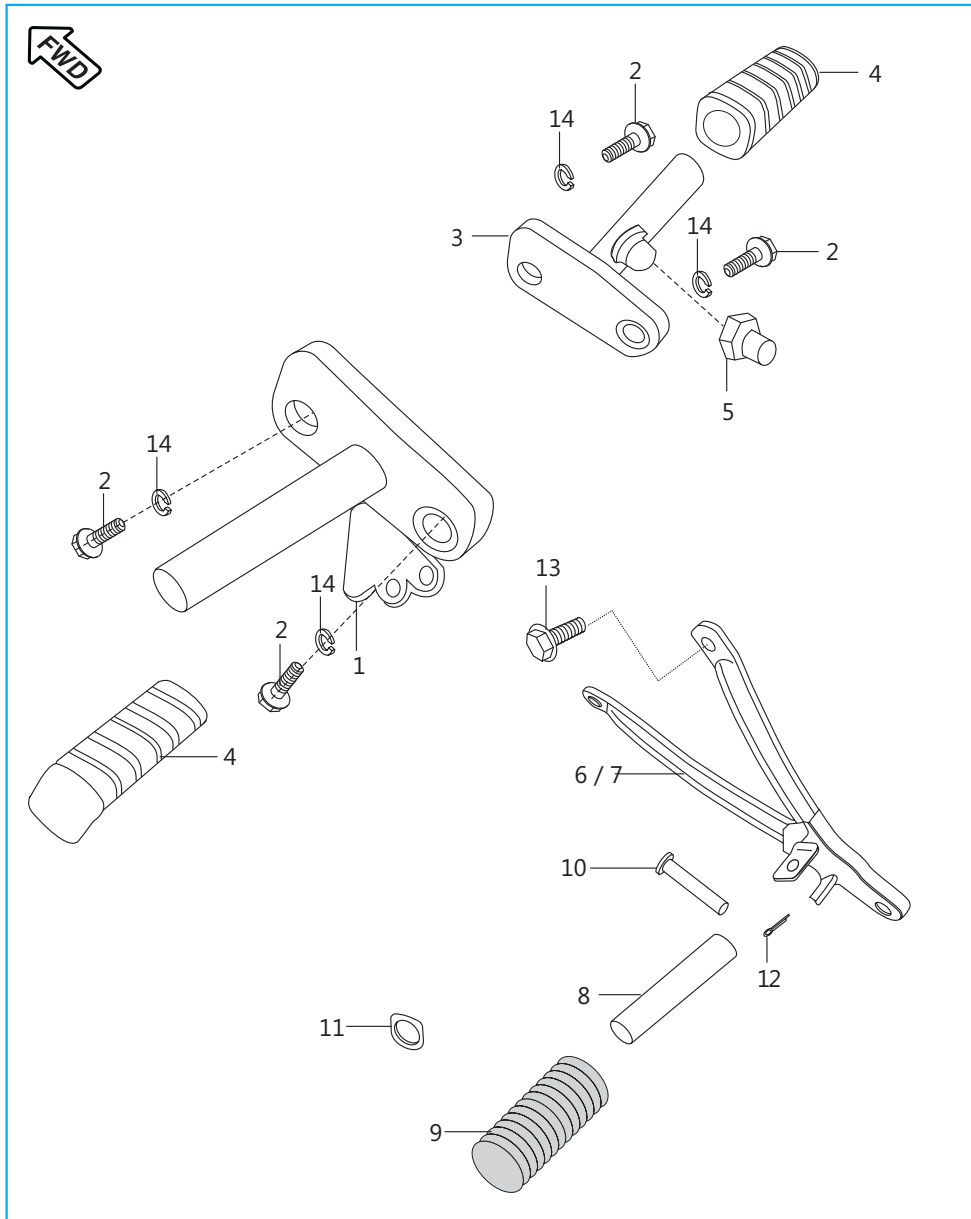
No.	Part No.	Description	Qty	Remarks
1	PF 1110 00	Frame Assly.	1	
2	DS 1810 18	Nut with Dust Cap	1	
3	36 3140 05	Kit Bearing cone	1	
4	DJ 1811 15	Cage Bearing	2	
5	DH 1810 14	Cup Steering	1	N.I.



Swing Arm / Rear Shock Absorber

No.	Part No.	Description	Qty	Remarks
1	JB 1220 16	Hex Bolt / Flange - M10	2	
2	39 0714 11	Plain Washer	2	
3	JB 1220 10	Plain Washer	4	
4	PF 1220 33	Rear Shock Absorber	2	
5	PF 1220 30	Asly Swing Arm	1	With Bush
6	DP 1710 06	Bushing Rubber	2	
7	39 2366 15	Domed Cap Nut	2	
8	39 0789 12	Spring Washer	2	
9	JB 1220 03	Chain Slider	1	
10	39 0553 02	Screw	2	For Chain Sider
11	39 0454 11	Plain Washer	2	For Chain Sider
12	JA 1210 03	Shaft Swing Arm	1	
13	39 0939 15	Nylock Nut	1	
14	DJ 1510 36	Adjuster Chain LH	1	
15	DJ 1510 37	Adjuster Chain RH	1	
16	39 0292 15	Hexagon Nut	4	
17	DJ 1510 47	Plate Chain Adjuster	2	

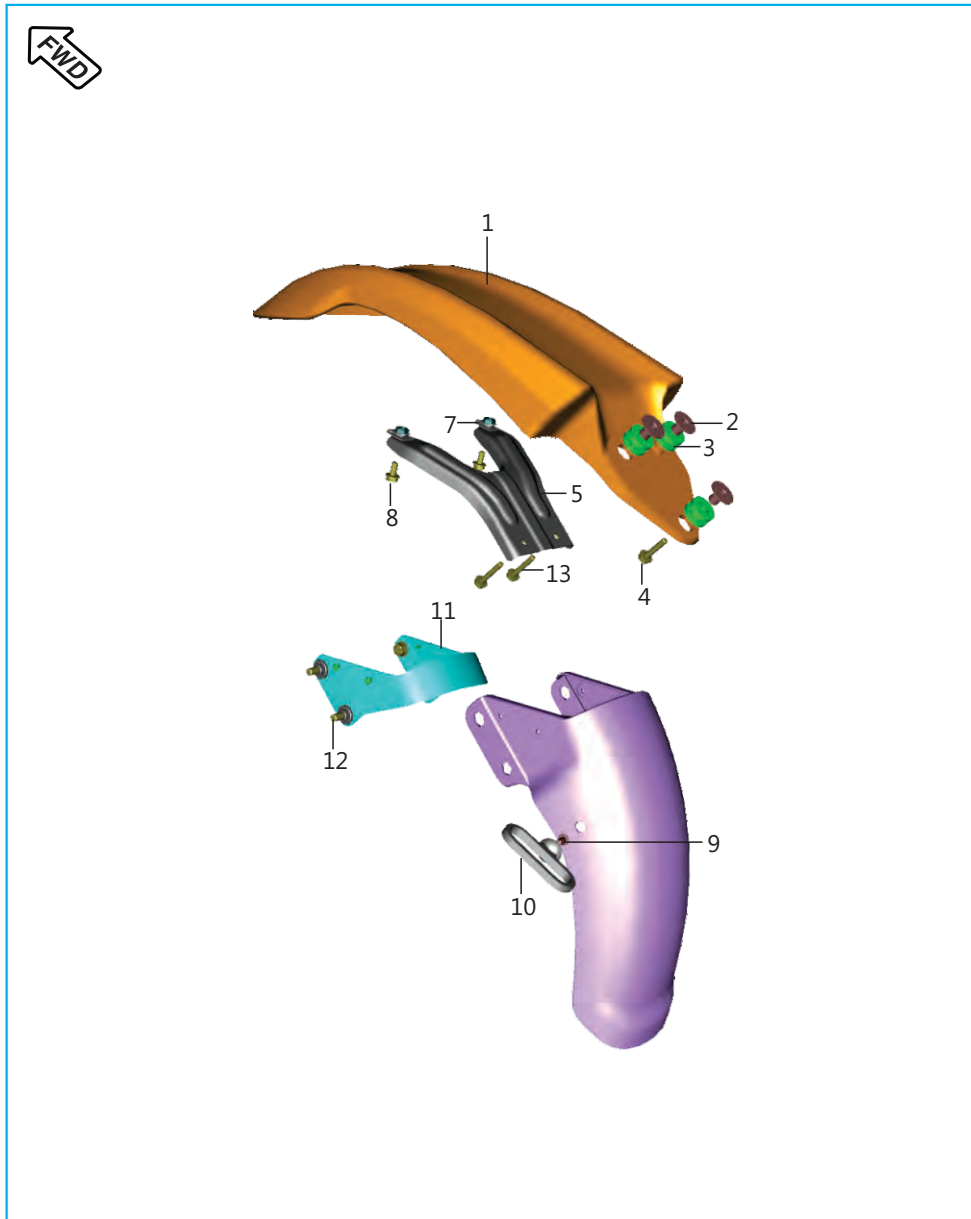





**FWD** Front Wheel Direction

Rider Foot Rest / Pillion Foot Rest

No.	Part No.	Description	Qty	Remarks
1	PF 1130 00	Main Step LH	1	
2	KA DF08 22	Bolt Flanged	4	
3	PF 1130 01	Main Step RH	1	
4	DF 1614 13	Rubber Main Step	2	
5	DH 1611 94	Kick Stopper	1	
6	PF 1130 02	Stay LH	1	
7	PF 1130 03	Stay RH	1	
8	DP 1611 70	Step RH / LH	2	
9	JK 1130 08	Rubber Pillion Step	2	
10	30 1710 22	Pin Pillion Step	2	
11	DP 1611 63	Washer for foot step	2	For Rear Footrest
12	39 0784 08	Split Pin	2	
13	39 2481 04	Bolt Hex With Flange M8	4	
14	KD CB08 16	Washer - Spring	4	

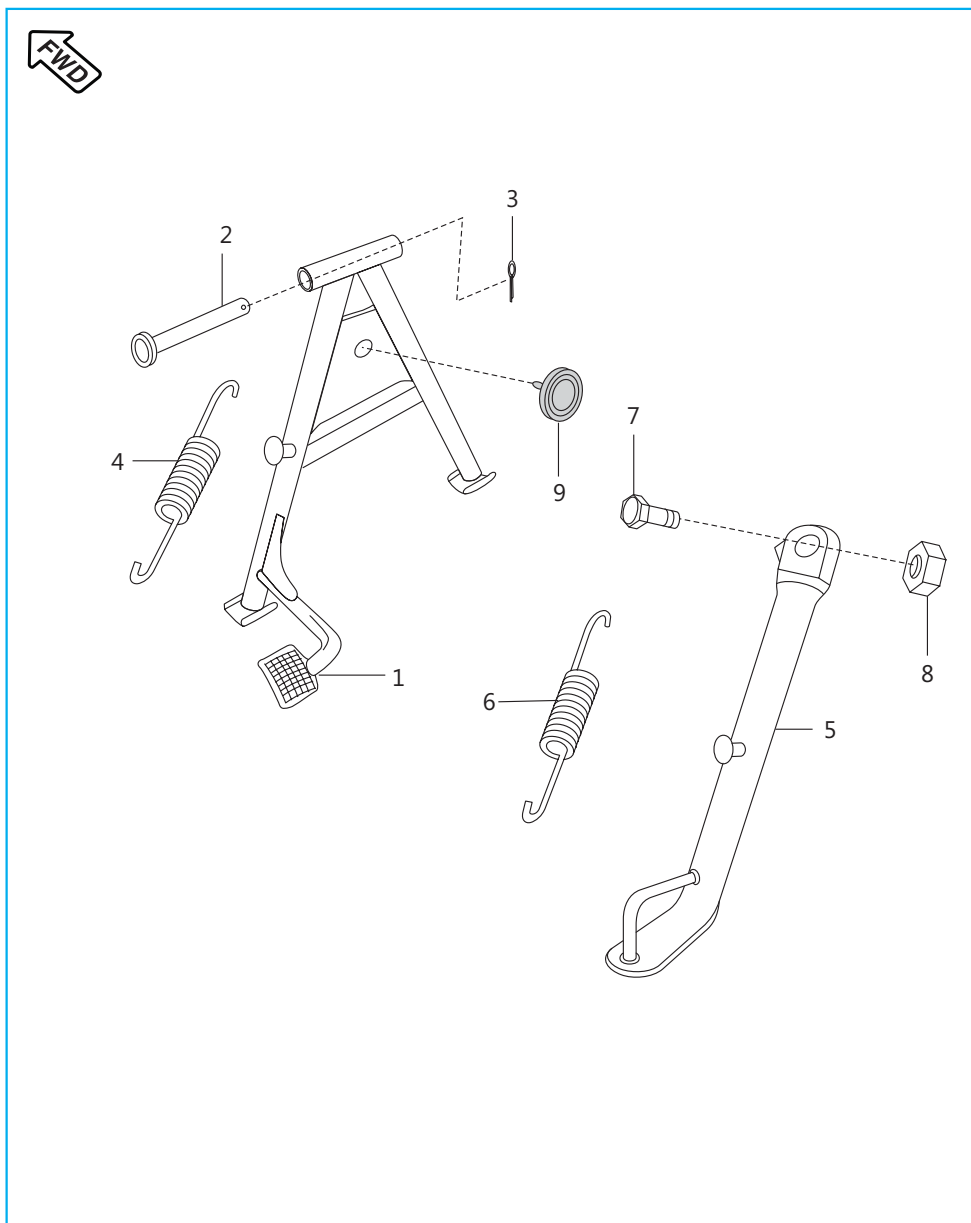


 Front Wheel Direction

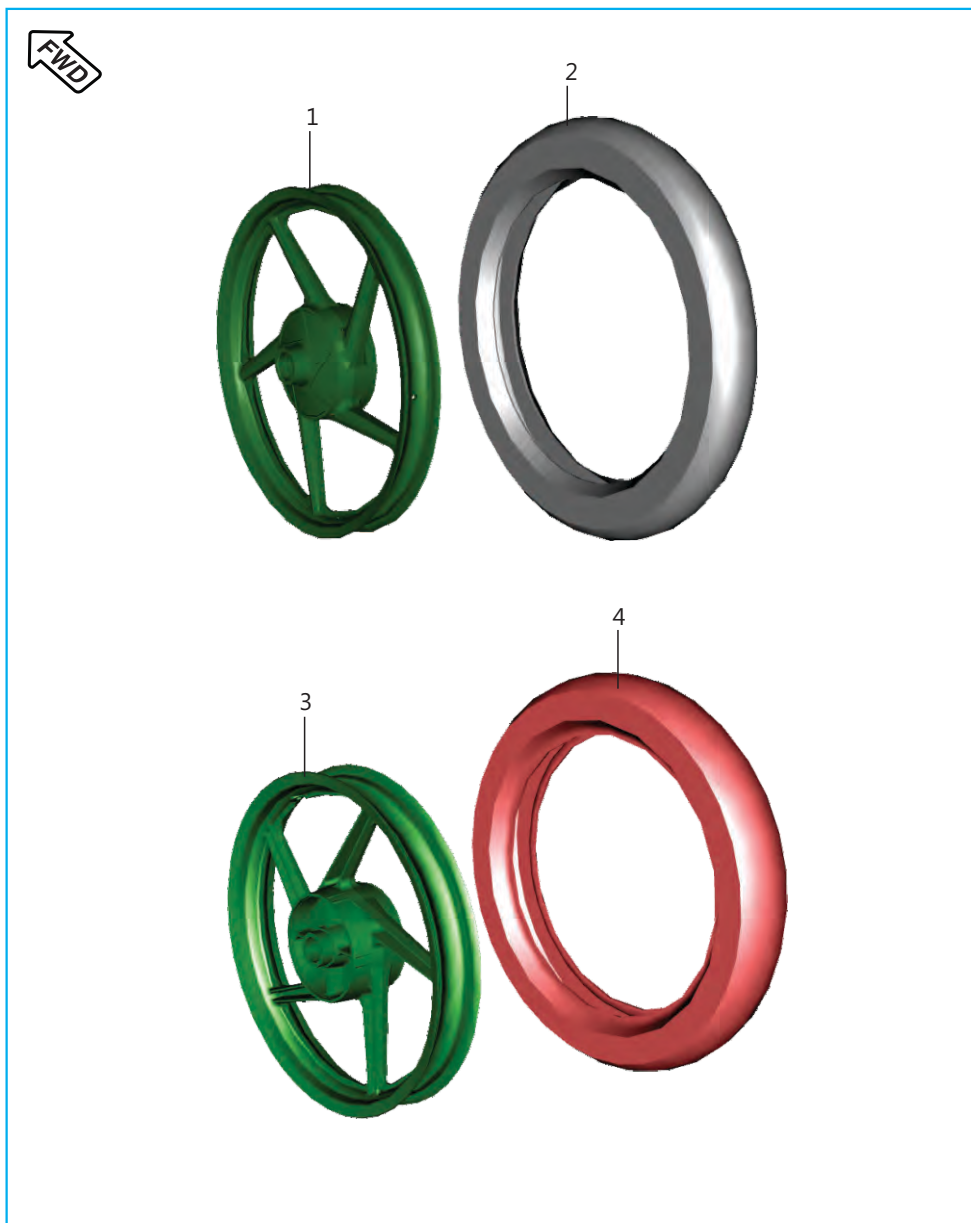
Mudguard - Front & Rear

No.	Part No.	Description	Qty	Remarks
1	PF 1814 30	Front Fender Front	1	
2	30 2110 05	Collar	3	
3	DD 2010 11	Damper	3	
4	KA DF06 25	Bolt Flange	1	
5	PF 1814 31	Bkt Mtg Front Fender Front	1	
6	KA DF06 12	Bolt Flanged	2	
7	JN 1812 11	Clip nut	2	
8	PF 1814 32	Front Fender Rear	1	
9	DJ 1610 69	Nail Cable Guide	1	
10	DS 1611 25	Cable Guide	1	
11	PF 1814 33	Brace Front Fender Rear	1	
12	KA DF08 20	Bolt Flanged	3	
13	KA DF06 30	Bolt	2	

Stand Assembly



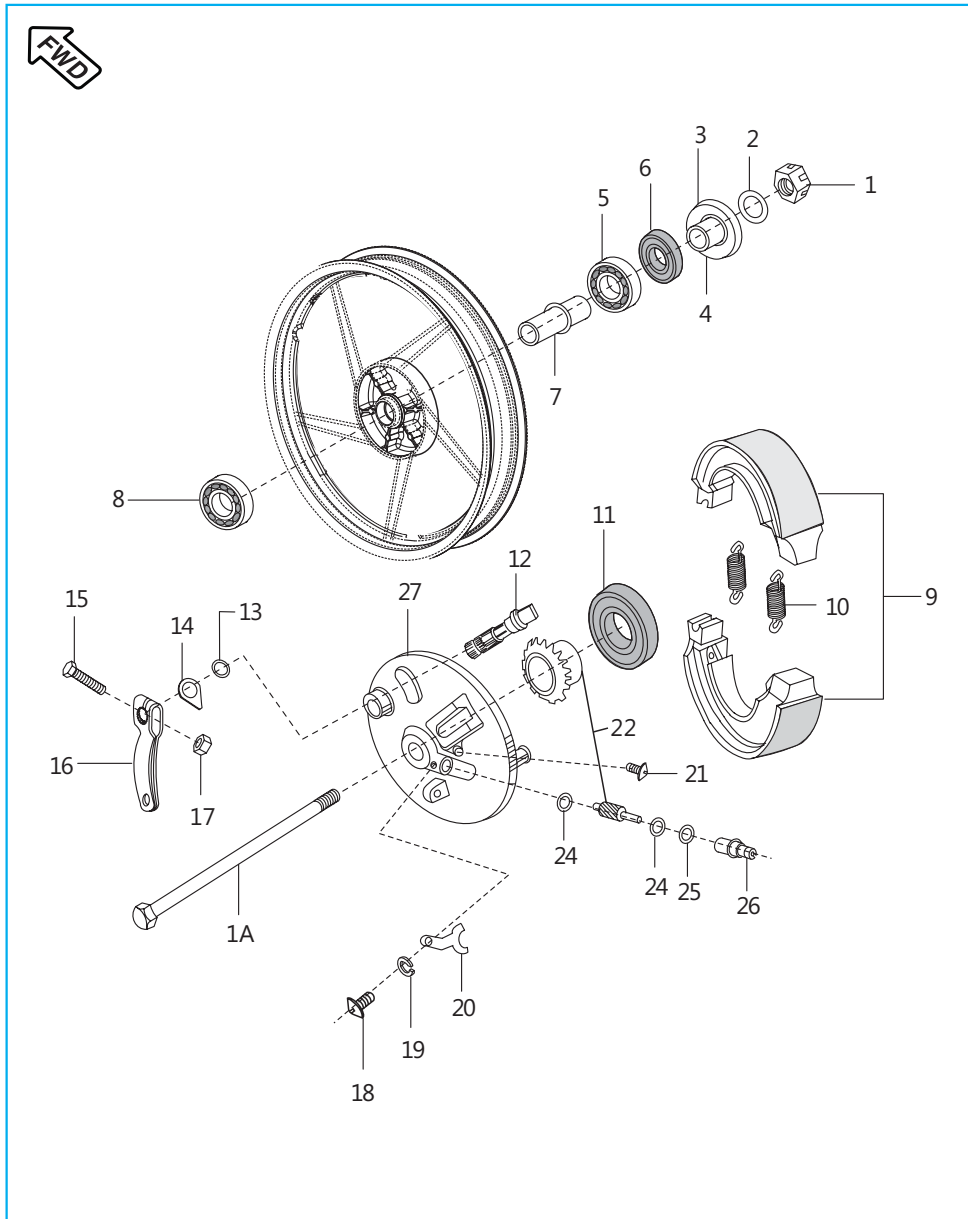
No.	Part No.	Description	Qty	Remarks
1	PF 1132 00	Center Stand	1	
2	JA 1132 01	Shaft Stand	1	
3	39 0797 08	Pin Cotter	1	
4	DH 1611 21	Spring Stand Center	1	
5	JA 1132 02	Stand Side	1	
6	DH 1610 66	Spring Side Stand	1	
7	DF 1611 02	Bolt	1	
8	39 0422 15	Nut Nyloc M10	1	
9	DG 1611 24	Damper Main Stand	1	



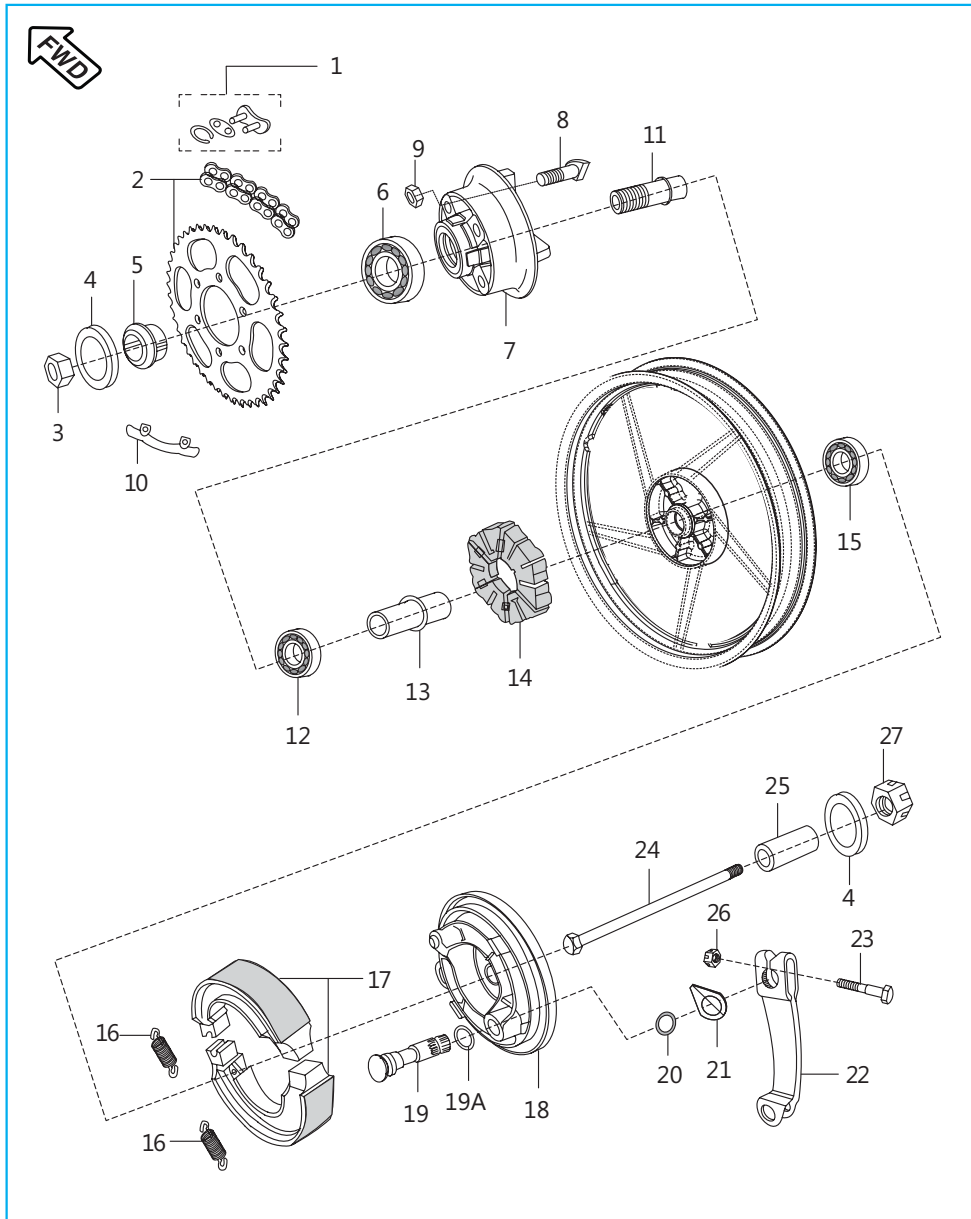
Tube / Tyre / Rim

No.	Part No.	Description	Qty	Remarks
1	PF 1310 33	Wheel Rim Front	1	
2	JV 1310 23	Tyre Front 3 X 17 RIM with Tube	1	
3	JZ 1312 06	Wheel Rim Rear 2.15 X 17	1	
4	JV 1312 39	Tyre Rear 100 x 90, 17, with Tube	1	

Front Hub

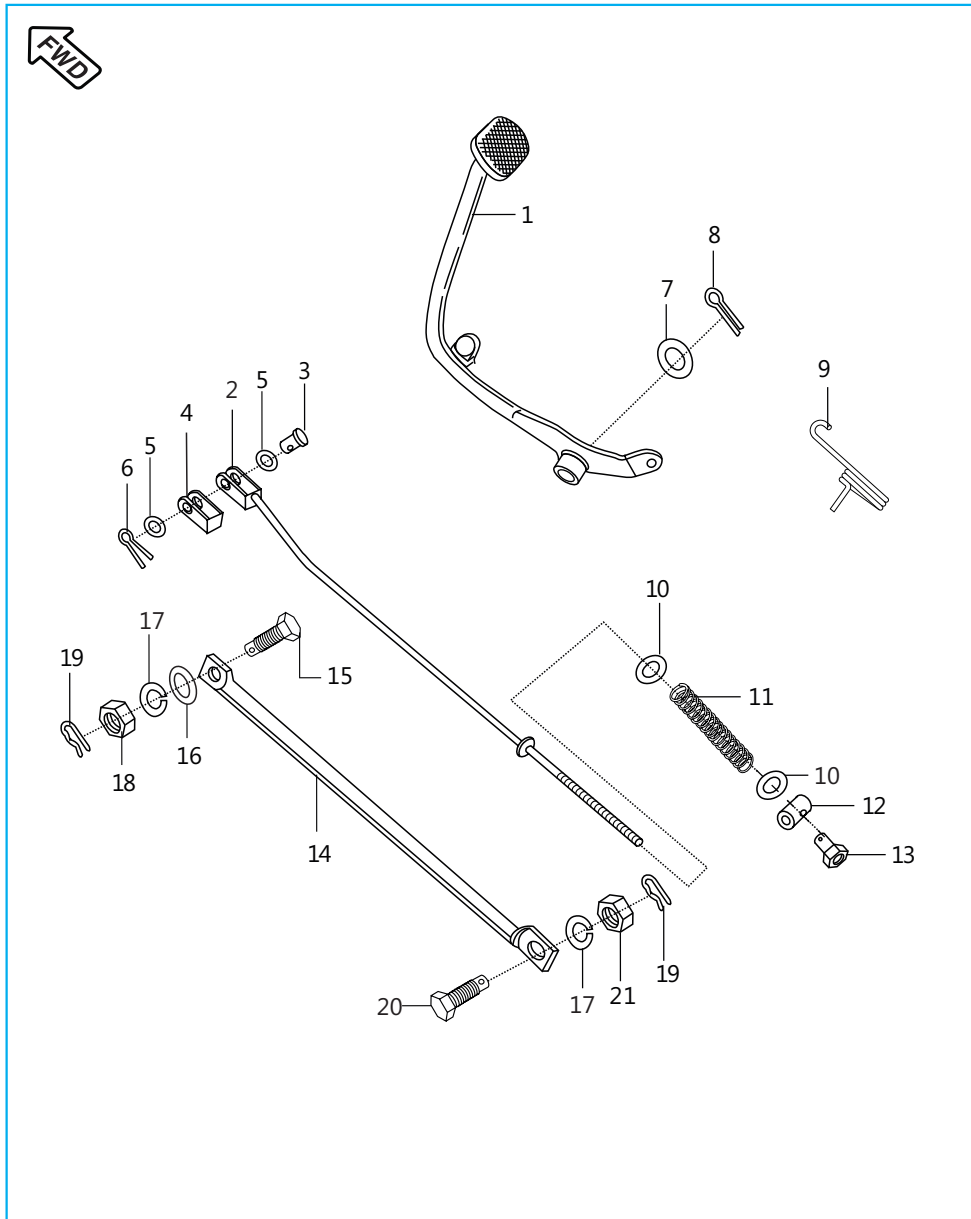



No.	Part No.	Description	Qty	Remarks
1	59 1500 03	U Nut	1	
1A	JB 1310 17	Axle Front Wheel	1	
2	JB 1310 18	Plain Washer	1	
3	DS 1510 56	Dust Seal	1	
4	DS 1510 60	Spacer Assy	1	(N.I.)
5	KP BB62 02	Bearing Ball	1	
6	30 1510 33	Oil Seal	1	
7	30 1510 32	Collar Bearing	1	
8	KP BB63 02	Ball Bearing	1	
9	30 1511 05	Shoe- Brake Assly	1	
10	30 1510 69	Spring	2	
11	14 1510 21	Oil Seal	1	
12	DS 1510 89	Cam Brake Assly.	1	
13	30 1510 38	Ring 'O'	1	
14	DS 1510 91	Wear Indicator	1	
15	KA EF06 30	Bolt	1	
16	DS 1510 92	Lever Brake	1	
17	DS 1510 94	Nut	1	
18	39 0840 01	Screw Pan Cross M4	1	
19	39 0732 12	Washer Spring	1	
20	30 1511 18	Stopper for Bushing	1	
21	LD B000 01	Screw	1	To Secure Speedo Cable
22	DL 1510 14	Speedometer Gear Kit	1	
23	30 1510 35	Seal Oil	1	N.I
24	39 0242 11	Washer Plain	2	
25	39 1013 21	'O' Ring	1	
26	JA 1316 06	Bushing Speedo Gear	1	
27	DS 1510 87	Panel Assy Brake Comp FR (black)	1	



Rear Hub

No.	Part No.	Description	Qty	Remarks
1	DJ 1510 53	Drive Chain Lock	1	
2	36 JV00 16	Chain Sprocket Kit	1	
3	39 0801 15	Nut	2	
4	39 2567 11	Plain Washer	2	
5	DJ 1510 35	Collar	1	
6	KP BC60 04	Bearing Ball	1	
7	DS 1510 68	Coupling	1	
8	DS 1510 73	'D' Bolt	4	
9	LC B000 05	Hex Lock Nut	4	
10	PF 1312 20	Washer	2	
11	DJ 1510 33	Sleeve	1	
12	KP BB62 02	Bearing Ball	1	
13	30 1510 75	Collar Bearing	1	
14	DK 1510 94	Coupling Rubber	1	
15	KP Bb63 02	Bearing Ball	1	
16	30 1510 69	Spring	2	
17	30 1511 05	Shoe- Brake Kit	1	
18	DJ 1510 92	Panel Rear Brake	1	
19	DS 1510 89	Cam Brake Assly	1	
19A	39 0722 11	Plain Washer	1	
20	30 1510 38	Ring 'O'	1	
21	DS 1510 90	Indicator	1	
22	JW 1316 01	Lever Brake	1	
23	JB 1312 24	Bolt	1	
24	PF 1312 45	Axle	1	
25	DJ 1510 34	Collar	1	
26	DS 1510 94	Nut M6	1	
27	DJ 1710 33	U Nut Swing Arm	1	

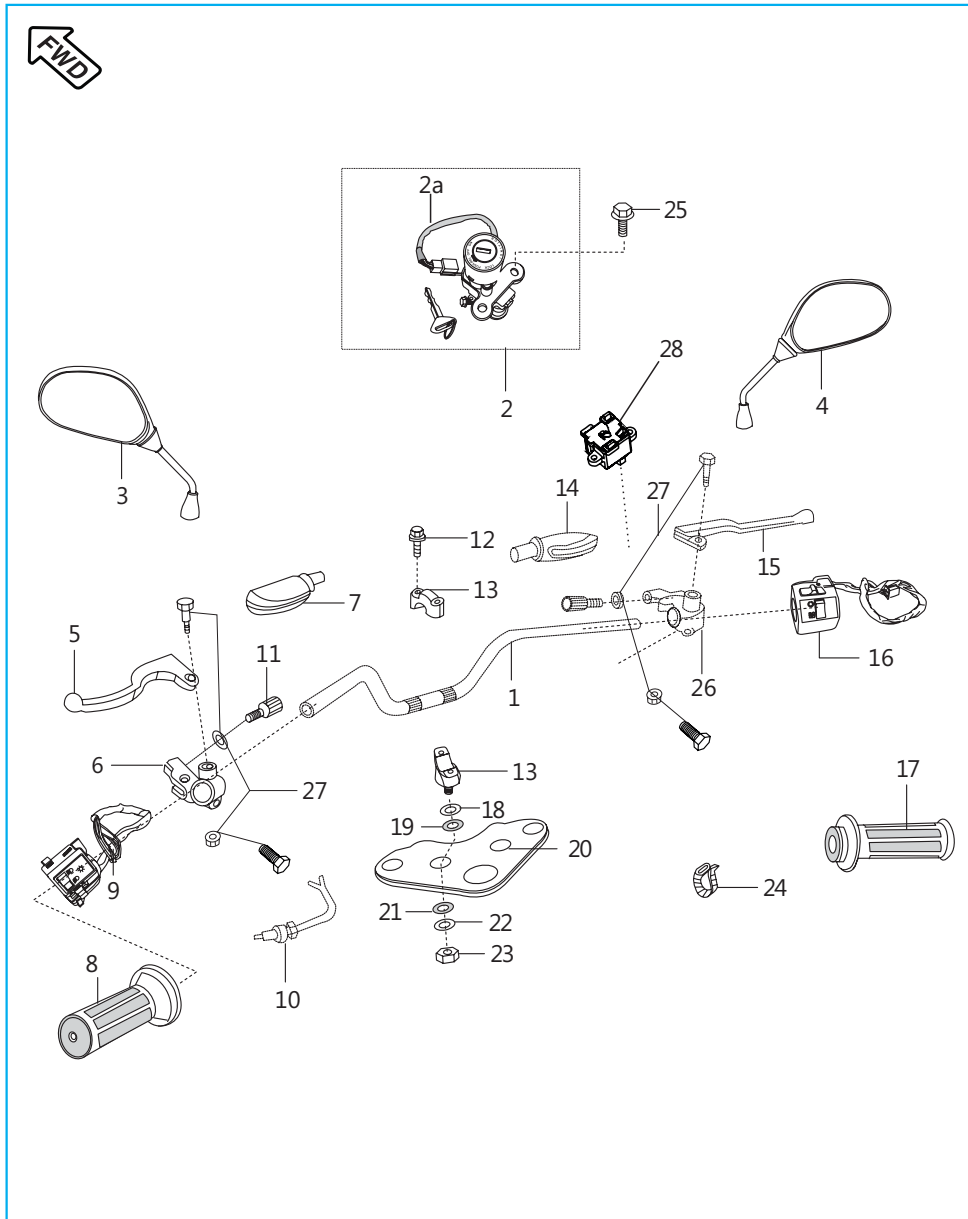


 Front Wheel Direction

Rear Brake Pedal

No.	Part No.	Description	Qty	Remarks
1	PF 1610 02	Brake Pedal	1	
2	PF 1610 01	Rod brake	1	
3	30 1910 38	Pin	1	
4	DS 1910 35	Packing Brake rod	1	
5	39 0198 11	Plain washer	2	
6	39 0808 08	Split pin	1	
7	39 0805 11	Plain Washer	1	
8	39 0797 08	Pin Cotter	1	
9	JV 1610 14	Brake Pedal Return Spring	1	
10	39 0198 11	Washer Plain	2	
11	30 1910 35	Spring	1	
12	JB 1610 02	Pin Brake Rod	1	
13	30 1910 36	Nut Brake Adjuster	1	
14	JW 1220 04	Rod Torque	1	
15	DH 1510 29	Step Bolt Torque Rod	1	
16	39 1540 11	Plain Washer	1	
17	39 0789 12	Spring Washer	2	
18	39 0694 15	Hex. Lock Nut M8 x 1.25	1	
19	39 0807 08	Split Pin	2	
20	30 1510 95	Bolt Hex.	1	
21	39 0708 15	Nut Hex. M10 X 1	1	

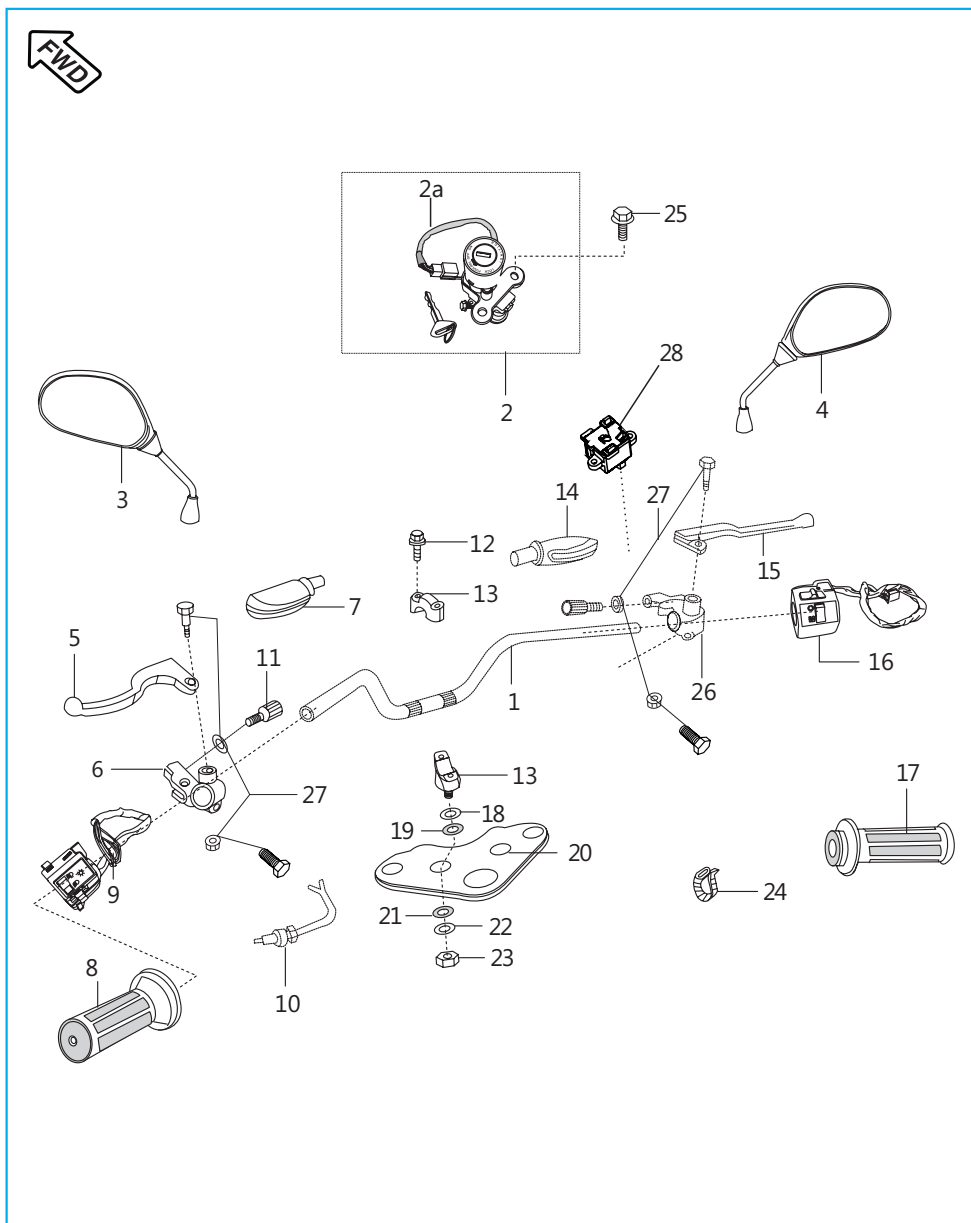
Handle Bar



No.	Part No.	Description	Qty	Remarks
1	DU 1810 21	Handle Bar	1	
2	PF 2326 01	3 in One Lock Set	1	
2a	DS 1810 22	Switch Ignition Assly	1	
3	DJ 2210 03	Mirror Assly. LH	1	
4	DJ 2210 04	Mirror Assly. RH	1	
5	DJ 1910 83	Lever Control LH	1	
6	DJ 1910 81	Holder LH	1	
7	DS 1910 52	Boot For Lever LH	1	
8	DU 1910 09	Grip LH	1	
9	JB 4014 00	Control Switch LH	1	
10	JZ 4014 05	Clutch Switch	1	
11	36 DU19 01	Kit Cable Adj	2	
12	39 1553 04	Flanged Bolt	4	
13	36 DS18 01	Holder Handle Set	2	
14	DS 1910 52	Boot For Lever RH	1	
15	DD 1911 42	Lever RH	1	
16	PF 4014 17	Control Switch RH	1	
17	DU 1910 03	Hand Grip Assly RH	1	
18	DS 1810 07	Washer Handle Upper	2	
19	DS 1810 08	Damper Handle Upper	2	
20	DS 1810 05	Bracket Upper Front Fork	1	For Fairing Version
21	DS 1810 09	Damper Handle Lower	2	
22	DS 1810 10	Washer Handle Lower	2	

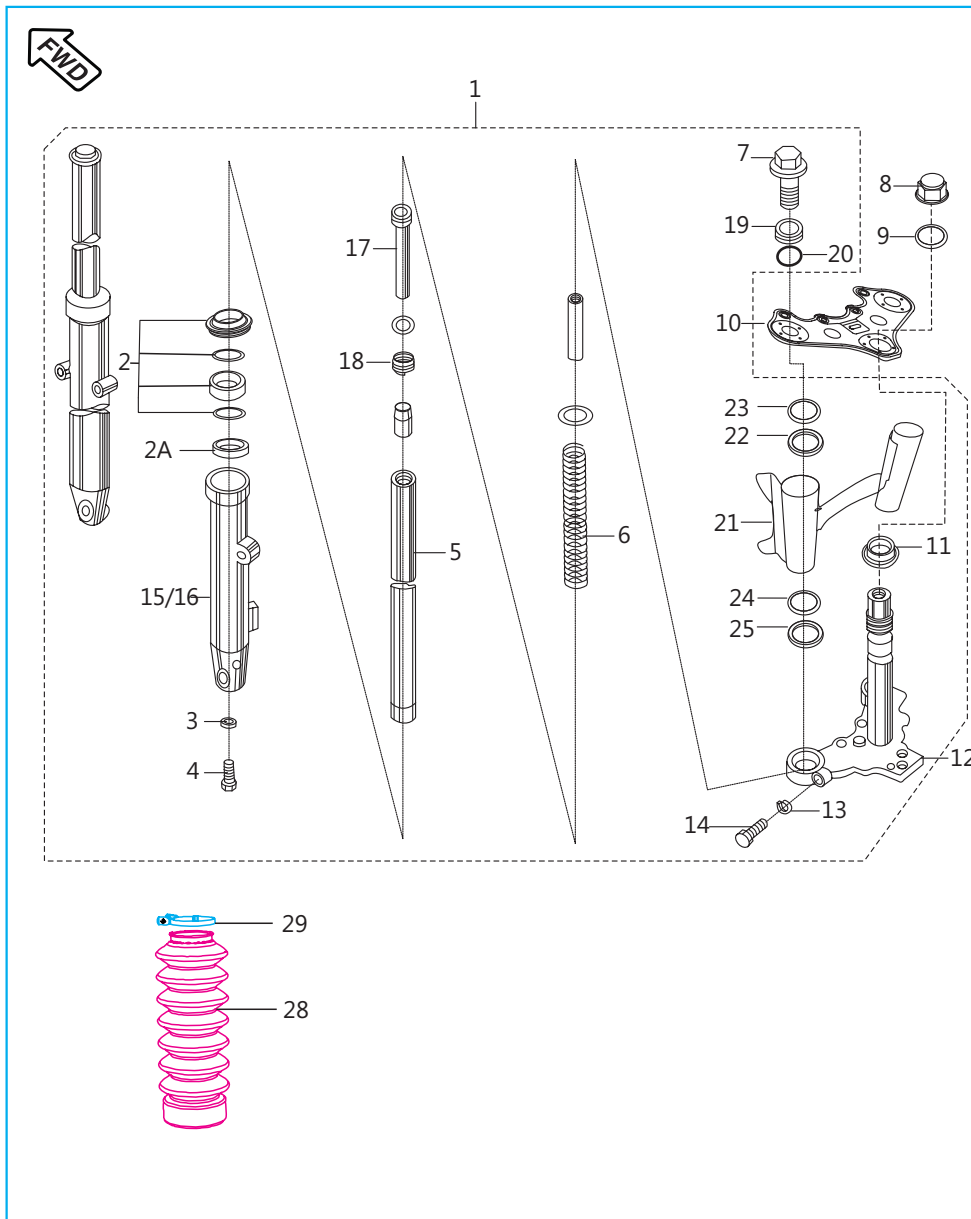


Handle Bar

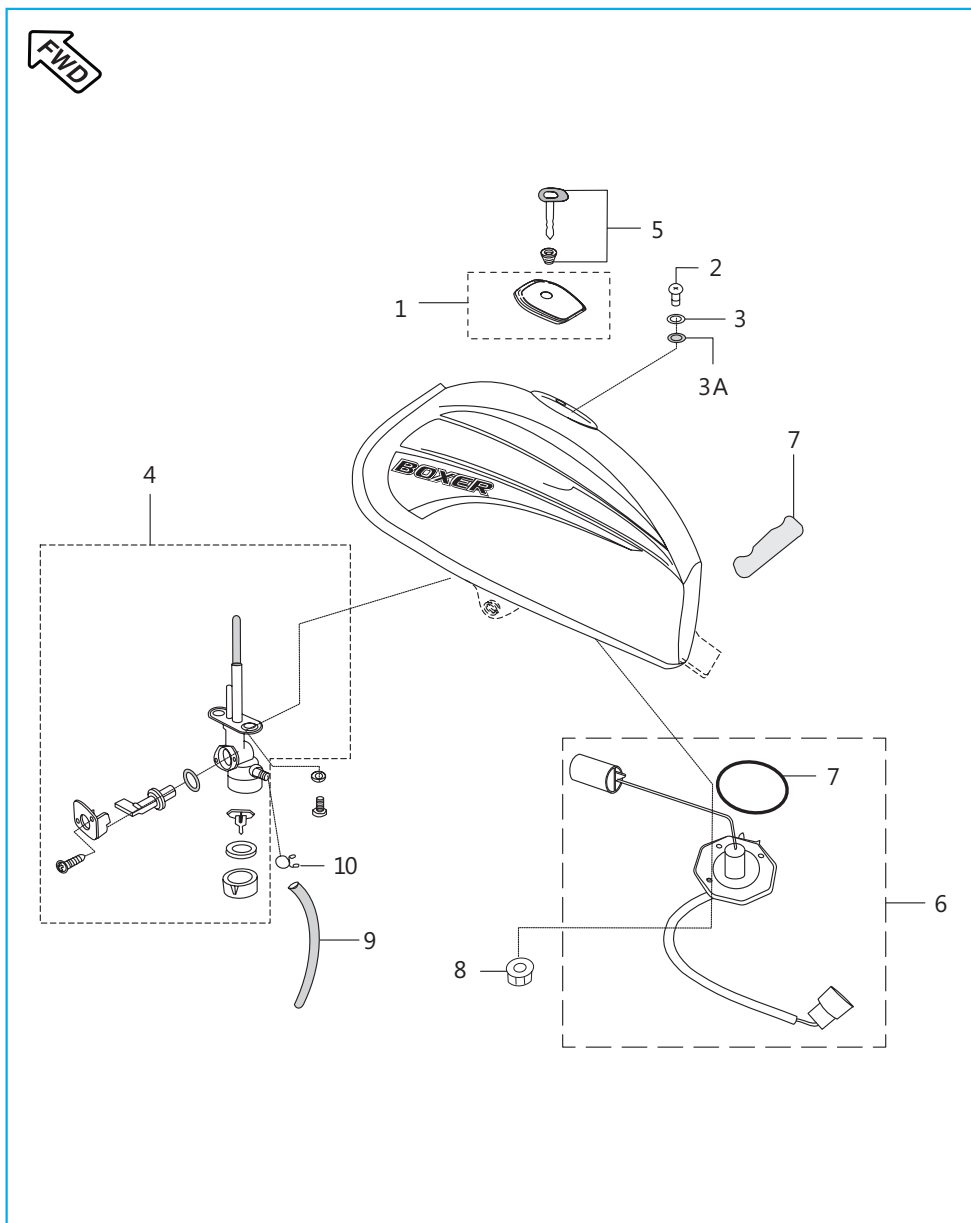


No.	Part No.	Description	Qty	Remarks
23	39 0422 15	Nut Nyloc M10	2	
24	JD 4022 17	Band	2	
25	39 1943 04	Flange Bolt	2	For Ignition Switch
26	DS 1910 38	Holder RH	13	
27	36 DK00 37	Kit Mirror Holder	2	
28	DD 2011 70	Switch Assembly	1	

Front Fork (For Fairing Version)

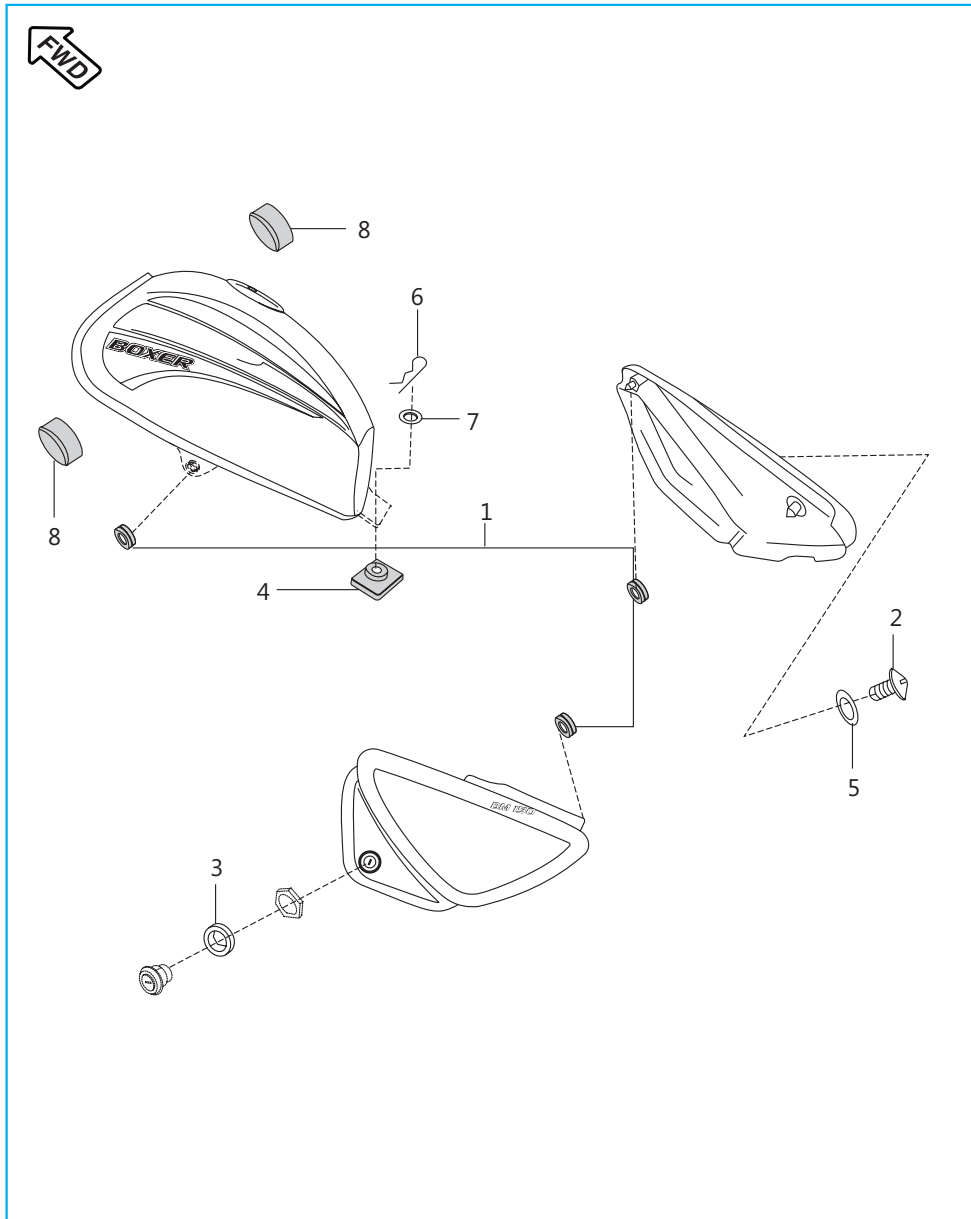


No.	Part No.	Description	Qty	Remarks
1	PF 1210 80	Fork Front	1	
2	36 DK00 20	Front Fork Seal Kit	2	
2A	DJ 1810 87	Seal Oil	2	
3	30 1810 26	Gasket	2	
4	39 1813 04	Bolt	2	
5	PF 1210 17	Fork Pipe Inner	2	
6	DS 1810 84	Spring Front Fork	2	
7	59 0400 06	Bolt Fork	2	With Washer
8	DS 1810 15	Cap Nut Fork	1	
9	DS 1810 16	Plain Washer	1	For Cap Nut
10	DS 1810 05	Holder Fork upper	1	
11	DH 1810 25	Bearing Cone	1	
12	PF 1210 85	Holder Assly Front Fork Comp	1	
13	39 0789 12	Spring Washer	2	
14	39 1813 04	Bolt	2	
15	PF 1210 18	Pipe Left Fork Outer	1	
16	PF 1210 19	Pipe Right Fork Outer	1	
17	PA 1210 41	Seat Pipe	2	
18	31 1810 99	Rebound Spring	2	
19	DS 1810 12	Bolt Fork	2	
20	30 1810 29	'O' Ring	2	
21	PF 1210 24	Lamp Shade Assly.	1	
22	DJ 1810 42	Cover Trail A	2	
23	PF 1210 28	Damper Cover Fork	2	
24	DJ 1810 52	Cover Trail B	2	
25	DJ 1810 85	Cushion Rubber	2	
26	DS 1810 70	Bush Guide	2	
27	DS 1810 72	Washer Guide Bush	2	
28	PF 1210 83	Bellow Front Fork	2	
29	PF 1210 54	Clamp For Bellow	2	



Fuelt Tank, Cap Tank and Gauge Fuel

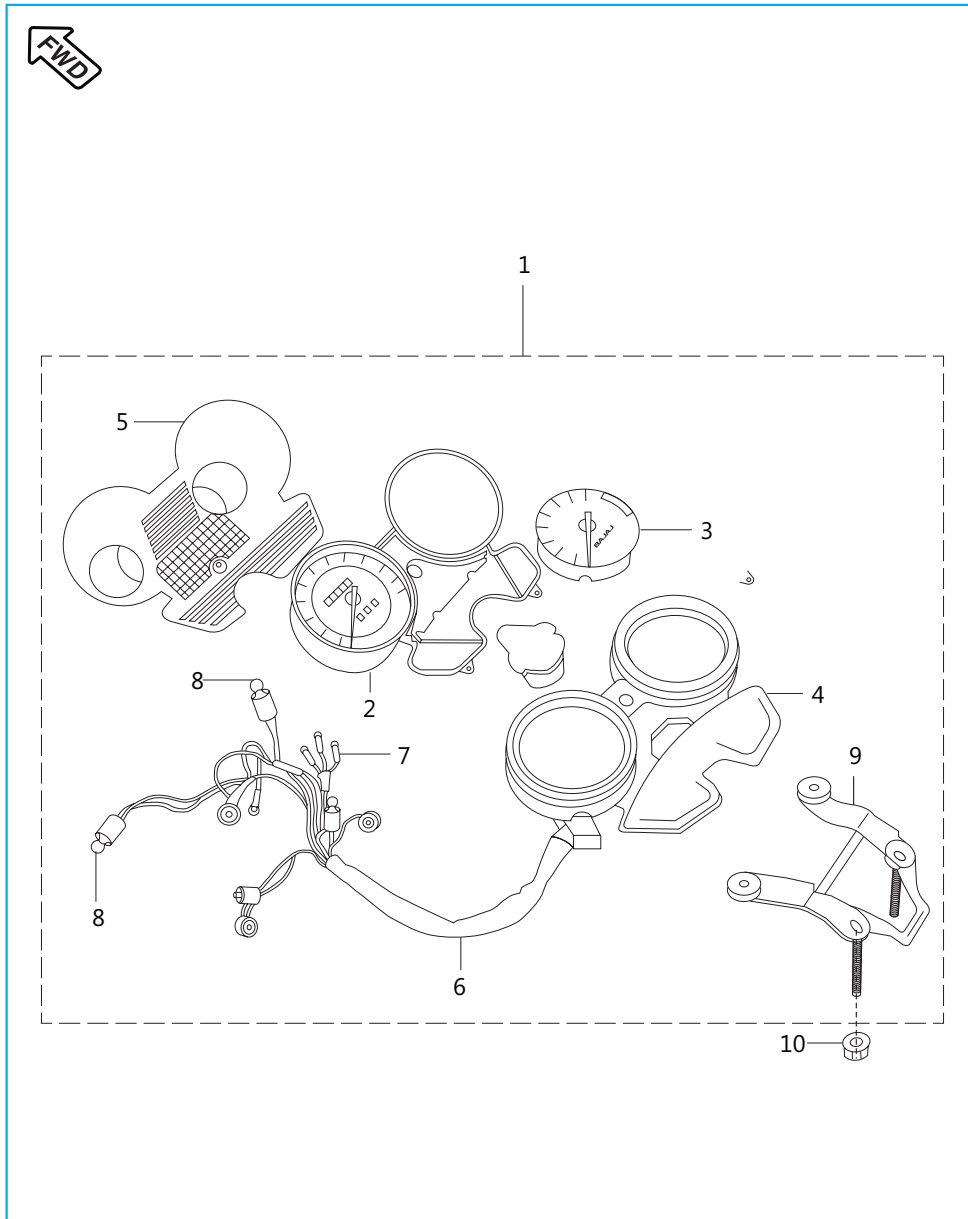
No.	Part No.	Description	Qty	Remarks
1	DS 1410 09	Cap Assly. Tank	1	
2	39 0761 01	Screw Pan Cross	2	
3	39 2179 24	Washer	2	
3A	30 1410 31	'O' Ring	2	
4	PF 1718 00	Fuel Tap	1	
5	PF 2326 01	3 In 1 Lock Set with Key	1	
6	PF 4026 00	Sensor Fuel Level	1	With 'O' Ring
7	DK 1410 28	'O' Ring	1	
8	39 2484 15	Flanged Nut	4	
9	PF 1718 03	Pipe Fuel	1	Cock to Carburetor
10	33 1410 08	Pipe Clip	2	



Fittings - Fuel Tank, Side Covers & Cover Seat

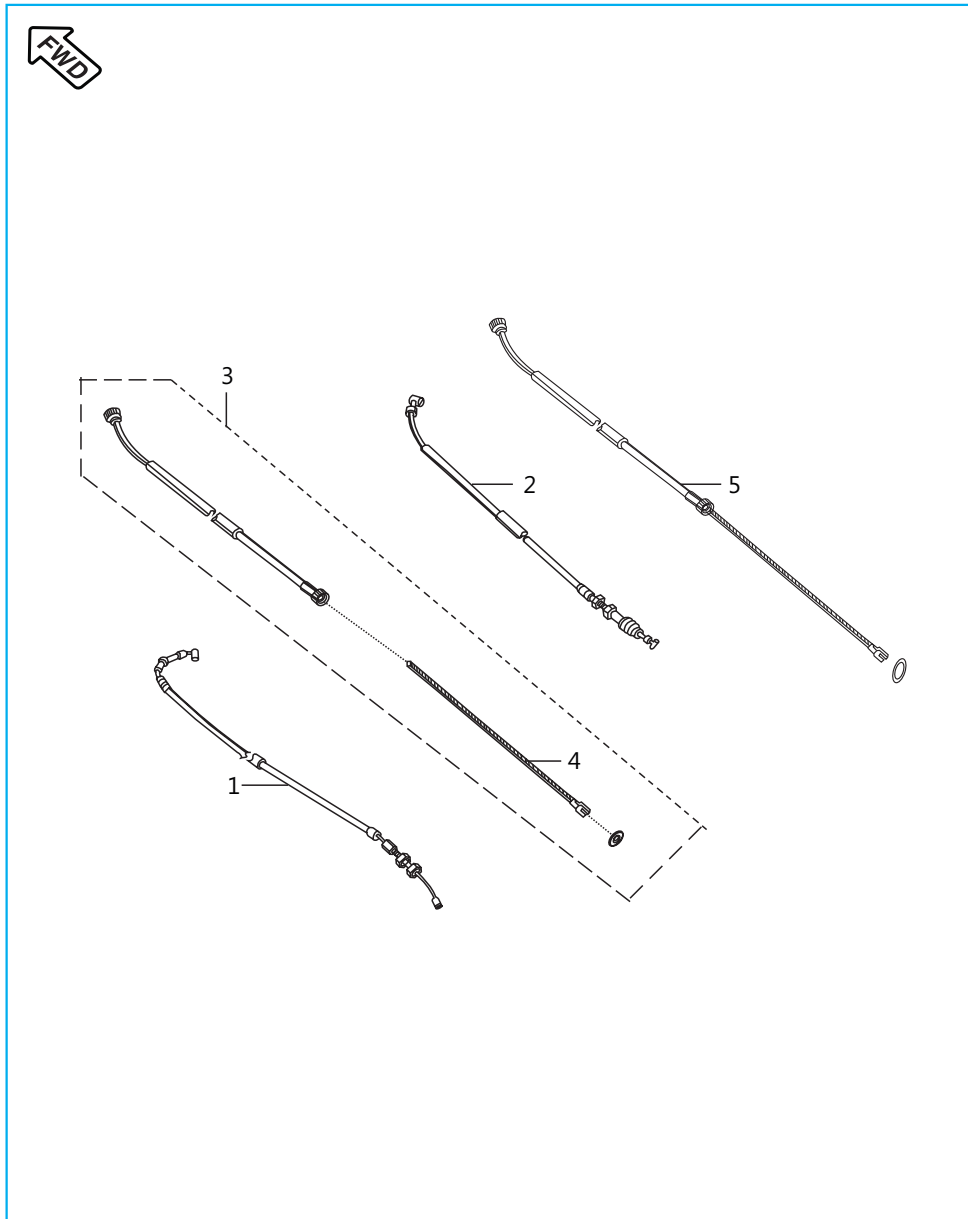
No.	Part No.	Description	Qty	Remarks
1	36 DS14 01	Grommet Kit for Side Cover	1	
2	DG 1611 21	Screw	1	
3	DU 1611 02	Damper	1	
4	JV 1710 01	Damper Tank Rear	1	For Tank
5	39 1789 24	Washer Nylon	3	
6	39 0983 08	Pin Snap	1	
7	39 1054 11	Plain Washer	1	
8	DJ 1410 08	Damper Front	2	For Tank Mounting

Meter Assembly

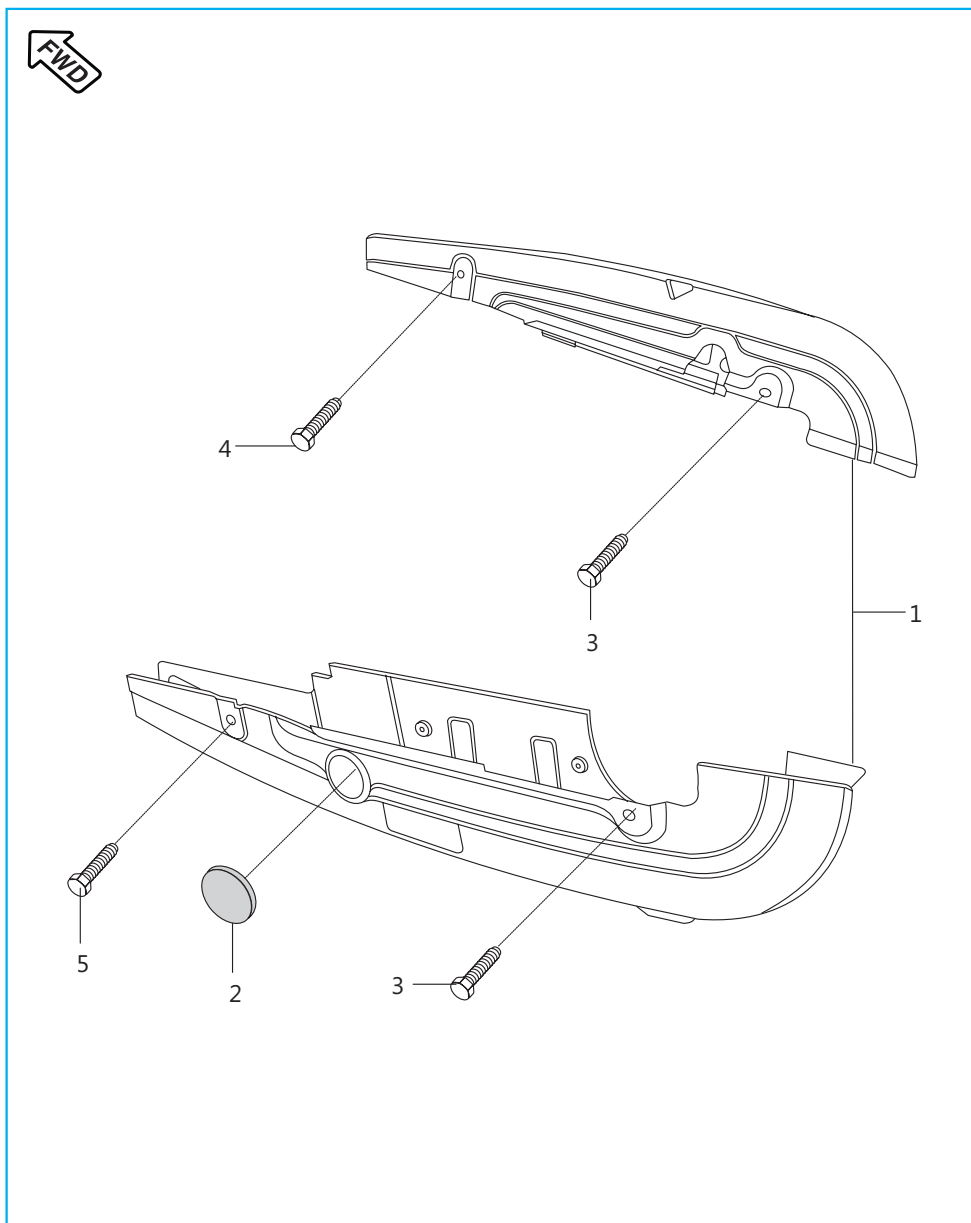


No.	Part No.	Description	Qty	Remarks
1	PF 4024 00	Speedometer Assly.	1	
2	PF 4024 01	Speedometer Machine With Dial	1	
3	PF 4024 05	Fuel Gauge Machine with dial	1	
4	PF 4024 02	Speedo meter Top Cover	1	
5	PF 4024 06	Speedo meter Bottom Cover	1	
6	PF 4024 03	Speedometer wiring harness	1	
7	CL 2010 42	Bulb 12V - 2 W	4	
8	DH 1910 37	Bulb 12V - 3 W	3	
9	PF 4024 04	Speedometer Bracket	1	
10	39 0798 15	Flanged Nut	2	

Control Cables



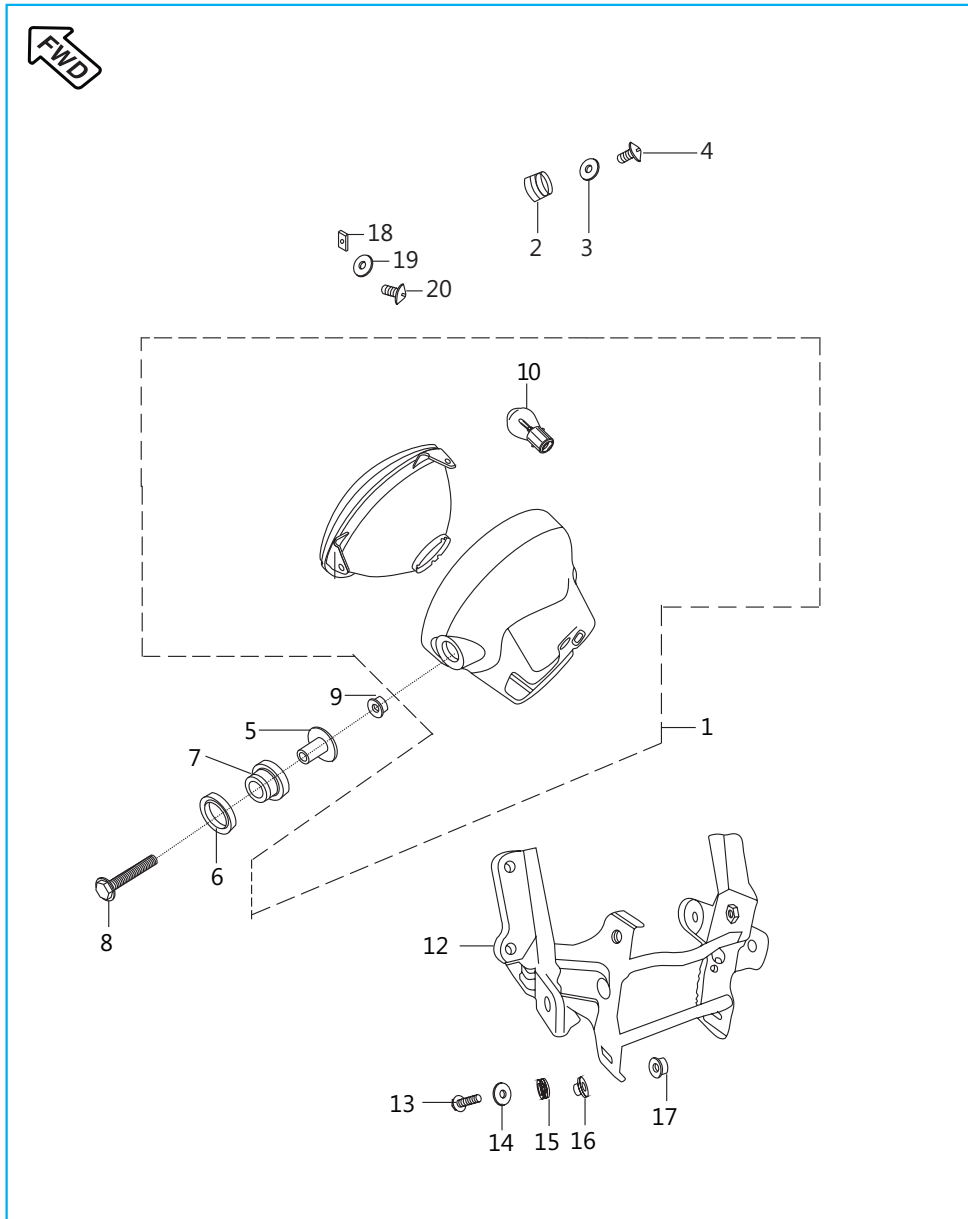
No.	Part No.	Description	Qty	Remarks
1	PF 1612 17	Cable Accelerator	1	
2	PF 1612 12	Cable Clutch	1	
3	PF 1612 08	Cable Speedometer	1	
4	PF 1612 09	Cable Speedometer Inner	1	
5	PF 1612 13	Cable front Brake	1	
6	39 1561 21	'O' Ring	1	N.I.



### Chain Case

No.	Part No.	Description	Qty	Remarks
1	36 PF00 11	Kit Chain Case	1	
2	15 1610 69	Rubber Cap	1	
3	DH 1612 83	Bolt M6	2	
4	JB 1812 20	Flange Bolt M6 X 1P X 62 L	2	

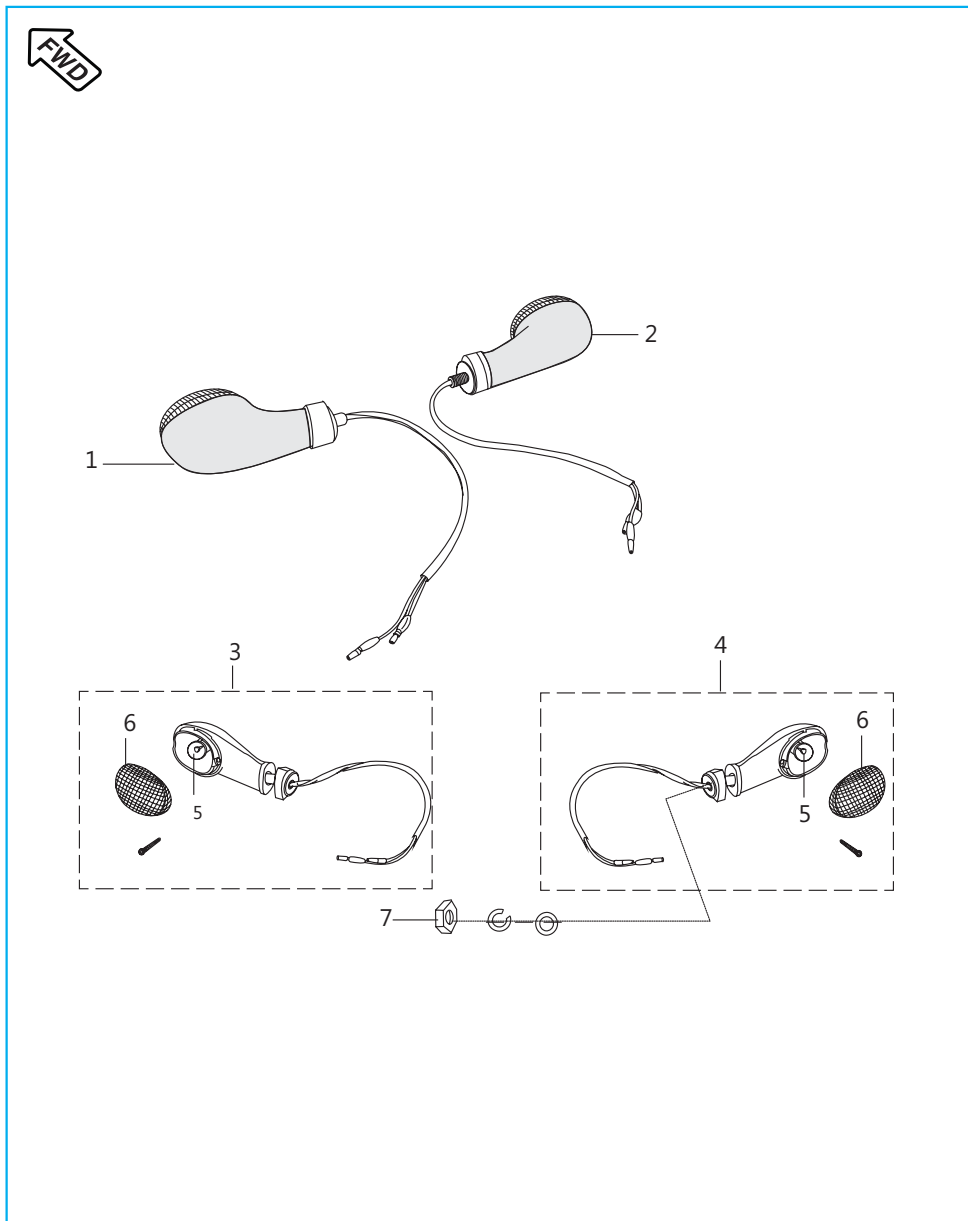
Head Lamp (With Fairing)



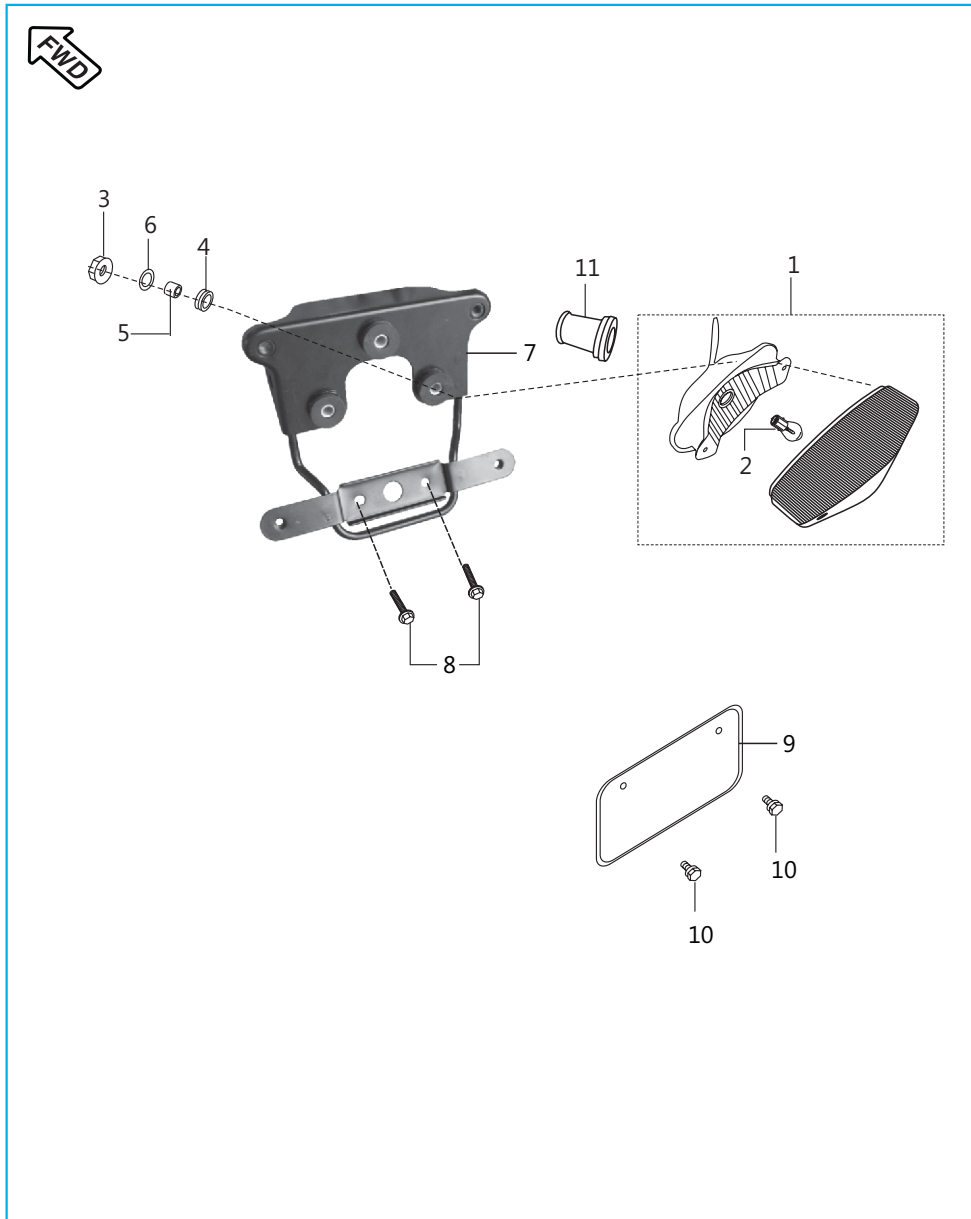
No.	Part No.	Description	Qty	Remarks
1	PF 4010 00	Head light assly	1	
2	DL 1810 10	Nut-well M5	4	
3	39 2141 24	Washer (Non Metallic Washer)	4	
4	DL 1810 09	Screw - M5 X L 16	4	
5	DS 2010 19	Collar	2	
6	DS 2010 20	Damper I	2	
7	DS 2010 21	Damper II	2	
8	39 2582 04	Flange Bolt M-8 L 35	2	
9	39 1970 15	Flange Nut M-8	2	
10	CL 2010 23	Lamp 12 V 35/35 W HS1	1	
11	PF 1812 11	Grommet - Cowling Mtg	2	N.I.
12	PF 1210 25	Fairing Structure	1	
13	JW 1812 32	Bolt Flange M6	4	
14	JW 1812 29	Plain Washer	6	
15	JB 1510 12	Grommet Fairing Mounting	4	
16	JB 1510 13	Sleeve Fairing Mounting	4	
17	39 0798 15	Hex Nut	2	
18	35 1610 60	Nut - Clip	4	
19	39 1765 11	Washer - Plain	4	
20	39 2238 01	Screw - Pan Head	4	




Indicator Light Assembly



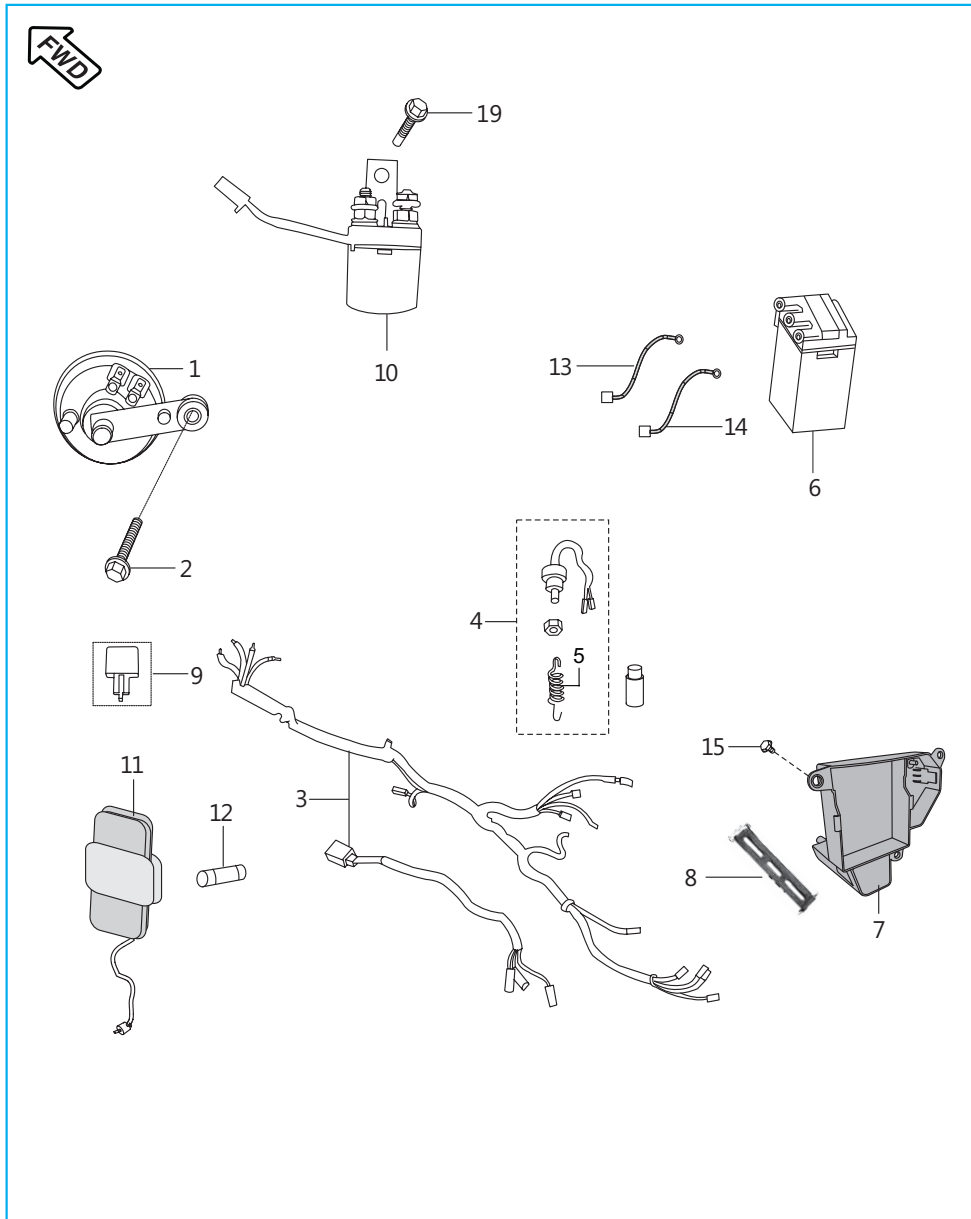
No.	Part No.	Description	Qty	Remarks
1	PF 4010 01	Dir. ind. Front LH with Lamp	1	
2	PF 4010 02	Dir. ind. Front RH with Lamp	1	
3	PF 4010 03	Dir. ind. Rear LH with Lamp	1	
4	PF 4010 04	Dir. ind. Rear RH with Lamp	1	
5	06 2010 83	Lamp 12 V - 10W	4	
6	DU 2010 16	Lens	4	
7	39 1225 15	Hex. Nut	4	



 Front Wheel Direction

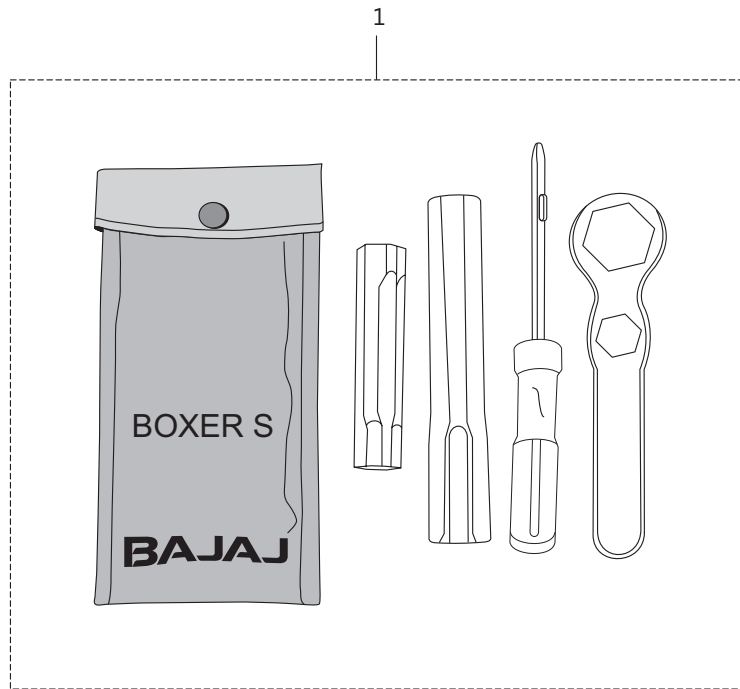
Tail Lamp Assly / Front Number Plate

No.	Part No.	Description	Qty	Remarks
1	PF 4010 05	Tail Light Assly.	1	
2	CL 2010 23	Lamp 12 V, 10/5W	1	
3	39 1970 15	Hex Nut. / Flange	2	
4	DD 2010 11	Damper	2	
5	31 2010 01	Collar	2	
6	39 0211 11	Plain Washer	2	
7	PF 2314 01	Bracket Tail Light Assly	1	
8	39 1956 04	Bolt Flange Small (for No. Plate)	2	
9	DF 1612 52	Plate No. Rear Black	1	
10	39 2765 01	Screw Truss M6	2	
11	PF 4022 10	Boot	1	
12	30 2010 69	Reflector Reflex	1	N.I.
13	39 1972 15	Nut Hexagon with Flange M5	1	N.I Reflector Mtg.



Electrical Equipments

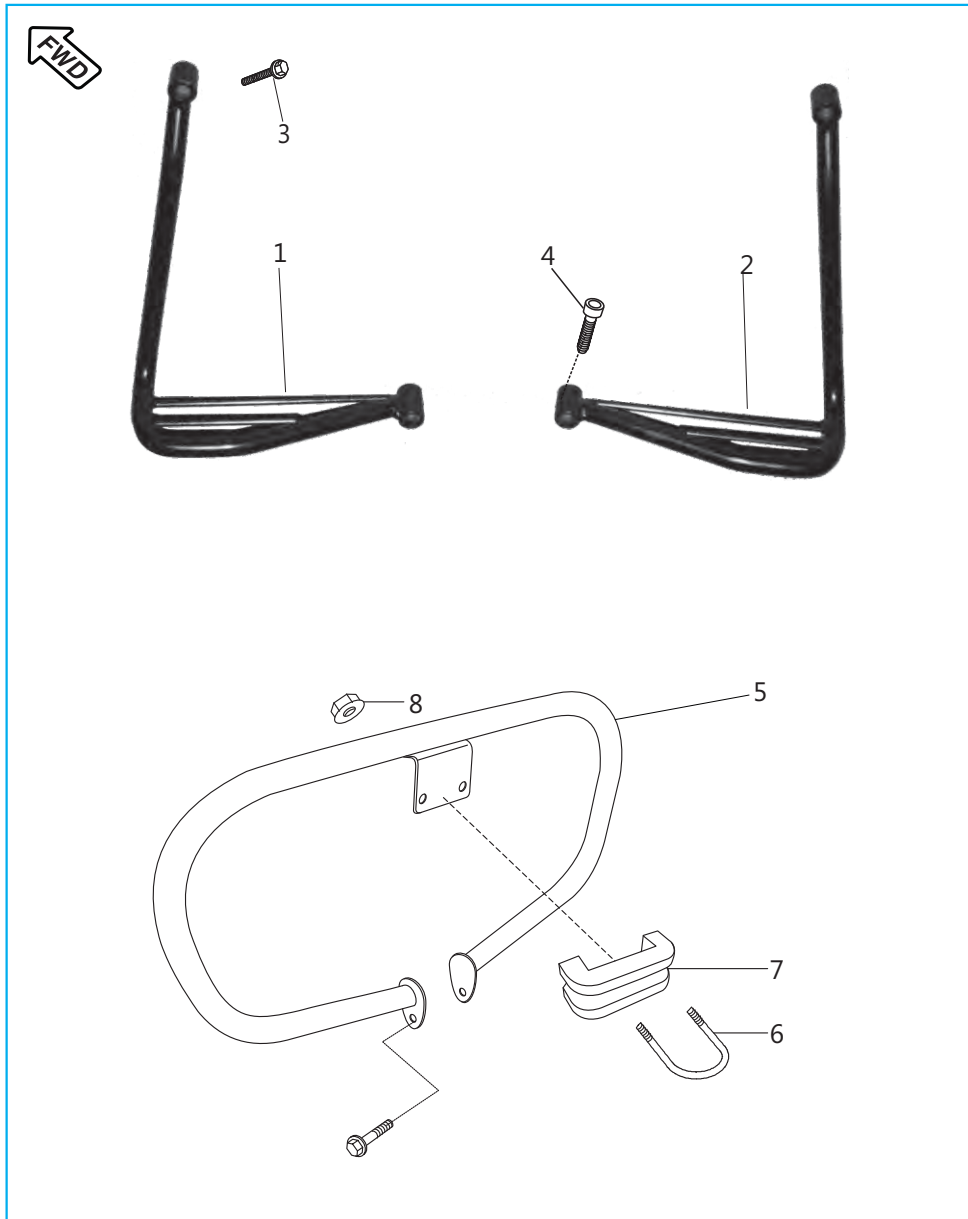
No.	Part No.	Description	Qty	Remarks
1	JV 4016 02	DC Horn	1	
2	39 1689 04	Flange Bolt (M8)	1	
3	JV 4022 15	Wiring Harness	1	
4	PF 4014 04	Rear Brake Switch	1	
5	PF 4014 03	Spring Brake Switch	1	
6	DS 2010 82	Battery 5 MF dry Charged	1	
7	JV 4018 01	Case Battery	1	
8	JA 4018 01	Band Battery	1	
9	DS 2010 25	Assly DC Flasher	1	
10	JK 3516 00	Starter Relay	1	With Grommet
11	GF 2010 36	Fuse Box Assly	2	For Light Main Fuse
12	GF 2010 53	Fuse (10 Amp.)	2	Light & Main Fuse
13	PA 4022 48	Cable Relay To Motor	1	
14	PA 4022 25	Cable Assly. (Battery to Earth)	1	
15	39 1740 04	Bolt Flanged	1	



Tool Kit

No.	Part No.	Description	Qty	Remarks
1	DM 2210 13	Tool Kit	1	For Reference Only

Accessories



No.	Part No.	Description	Qty	Remarks
1	PF 1130 08	Footrest Third LH	1	
2	PF 1130 09	Footrest Third RH	1	
3	39 1298 04	Screw Hex. Socket M8x1.25x35	2	
4	39 1608 04	Bolt Socket Head	2	
5	PF 2312 01	Leg Guard	1	
6	JA 2312 01	Hook Leg Guard	1	
7	JA 2312 02	Spacer Leg Guard	1	
8	39 0798 15	Nut Hex with Falnge M6	2	

Painted Parts and Decals



No.	Part No.	Description	Qty	Remarks
1	PF 1812 09	Wind Shield	1	
2	52 JV01 30	Tank Ebony Black With Decal	1	
	52 JV01 31	Tank Khi Pasn Red With Decal	1	
	52 JV01 29	Tank Electron Blue With Decal	1	
3	52 Jv01 18	Sd Cvr LH Eb.black With Decal	1	
	52 JV01 19	Sd Cvr LH P Red With Decal	1	
	52 JV01 17	Sd Cvr LH El.blue With Decal	1	
4	52 Jv01 21	Sd Cvr RH Eb.black With Decal	1	
	52 JV01 22	Sd Cvr RH P Red With Decal	1	
	52 Jv01 20	Sd Cvr RH El.blue With Decal	1	
5	PF 7401 X3	Cowling Painted Bm 150 Ebony Black	1	
	PF 7401 3E	Cowling Painted Bm 150 El Blue	1	
	56 PF1T 4R	Cowling Bm 150 Khi Pred	1	
6	36 JV00 14	Kit Tank Dcl E Black	1	
	36 JV00 15	Kit Tank Dcl P Red	1	
	36 PF00 76	Kit Tank Decal Electron Blue	1	
7	JV 2331 02	Decal Cover Side LH Ebony Black	1	
	JV 2331 04	Decal Cover Side LH Pasn Red	1	
	JV 2331 00	Decal Cover Side LH Ele Blue	1	
8	JV 2331 03	Decal Cover Side RH Ebony Black	1	
	JV 2331 05	Decal Cover Side RH Pasn Red	1	
	JV 2331 01	Decal Cover Side RH Ele Blue	1	

# Kit List



Sr No	Kit Part No.	Kit Description	Consisting of Following Parts		
			Part No.	Description	Qty/Kit
1	36JH0029	KIT VALVE REPAIR	28101129	SPRING - SEAT	1
			CB101009	SEAL - VALVE STEM	1
			JZ511202	SPRING VALVE	1
			DY511202	RETAINER VALVE	1
			CB101022	COTTER VALVE	1
2	36DU1007	BOSS KICK SET	30101233	BOSS KIT	1
			30101234	SPRING	1
			30101236	BALL STEEL	1
			30101235	PIN	1
			39085517	E - TYPE CLIP	1
3	36PA0115	KIT GUIDE CAM CHAIN	JE541030	GUIDE CAM CHAIN SLACK SIDE	1
			JE521019	GUIDE CAM CHAIN TIGHT	1
4	36JV0012	KIT CYLBLOCK PISTONASSLY	JV521011	BLOCK CYLINDER	1
			DY521200	ASSEMBLY PISTON B105A	1
5	36JV0013	KIT CRANKCASE RH	JV541021	CRANKCASE RH	1
			PF541018	BUSHING DRUM	1
			BA102004	PLUG	1
6	36JE0024	KIT FRICTION	JE551410	PLATE CLUTCH FRICTION	1
7	36DK0037	KIT MIRROR HOLDER	39118415	NUT - NYLOC :- M5 X 0.8	1
			DL191014	STUD - LEVER HANDLE	1
			30191017	NUT	1
			39019811	WASHER - PLAIN	1
			39072504	BOLT - HEXAGON :- M6 X 1	1

# Kit List



Sr No	Kit Part No.	Kit Description	Consisting of Following Parts		
			Part No.	Description	Qty/Kit
8	36DK0020	KIT OUTER TUBE	DJ181089	SEAL - DUST	1
			DJ181088	STOPPER - OIL SEAL	1
			DS181072	WASHER - GUIDE BUSH	1
			DS181070	BUSH - GUIDE	1
9	36PF0011	CASE CHAIN KIT	PF181202	CASE CHAIN UPPER ASSLY.	1
			PF181200	CASE CHAIN LOWER ASSLY.	1
10	36DK0020	KIT OUTER TUBE	DJ181089	SEAL DUST	2
			DJ181088	STOPPER SEAL OIL	2
			DS181072	WASHER GUIDE BUSH	2
			DS181070	GUIDE BUSH	2
11	36DK0037	KIT MIRROR HOLDER	39118415	NUT - NYLOCK :- M5 X 0.8	1
			DL191014	STUD - LEVER HANDLE	1
			30191017	NUT	1
			39019811	WASHER - PLAIN	1
			39072504	BOLT - HEXAGON :- M6 X 1	1
12	36PF0076	KIT TANK DCL E BLUE	PF233132	TANK DCL LH EL. BLUE	1
			PF233133	TANK DCL RH EL. BLUE	1
13	36JV0014	KIT TANK DCL E BLACK	JV233109	DECAL TANK RH EBONY BLACK	1
			JV233108	DECAL TANK LH EBONY BLACK	1
14	36JV0015	KIT TANK DCL P RED	JV233111	DECAL TANK RH PASSION RED	1
			JV233110	DECAL TANK LH PASSION RED	1
15	36PF0076	KIT TANK DCL E BLUE	PF233132	TANK DECAL LH ELETRON BLUE	1
			PF233133	TANK DECAL RH ELETRON BLUE	1

# Kit List



Sr No	Kit Part No.	Kit Description	Consisting of Following Parts		
			Part No.	Description	Qty/Kit

# Kit List



Sr No	Kit Part No.	Kit Description	Consisting of Following Parts		
			Part No.	Description	Qty/Kit



# SPC Updation Details



Page no.	Fig. no.	Old part no.	New part no.	Description	Updation date	Remarks
6	4	59040031	DK101386	Hexagon Socket HC Bolt	2.8.17	Alternate
14	1	PF561006	PF561000	DrumComplete GearShift	2.8.17	Alternate
14	3	PF561005	JA561002	Cam Drum Change	2.8.17	Alternate
16	11	JA561211	39190204	Flange Bolt	2.8.17	Alternate
18	10	JV541216	39174004	Bolt M6 X 85 Silver	2.8.17	Alternate
18	11	JV541007	59040038	Flange Bolt	2.8.17	Alternate
18	12	JA541014	52JA0029	Bolt Shift Change	2.8.17	Alternate
20	6	DH101264	DH101784	Gasket Neutral Switch	2.8.17	Alternate
20	16	JV541007	59040038	Flange - Bolt	2.8.17	Alternate
22	9	JE541213	39244311	Plain Washer	2.8.17	Alternate
22	17	JV541007	59040038	Bolt Flange	2.8.17	Alternate
24	4	JV541007	59040038	Bolt	2.8.17	Alternate
24	7	JV541207	JA541233	Cap TDC Finder	2.8.17	Alternate
26	10	JB551412	JB551406	Holder Clutch	2.8.17	Alternate
28	2	59040025	JA621206	Bolt Special	2.8.17	Alternate
46	3	36314001	36314005	Kit Bearing cone	2.8.17	Alternate
58	9	30151068	30151105	Shoe- Brake Assly	2.8.17	Alternate
58	24	30151042	39024211	Washer Plain	2.8.17	Alternate
64	11	DD191147	36DU1901	Screw for Cable Adjuster	2.8.17	Alternate
66	26	DS191033	DS191038	Holder RH	2.8.17	Alternate
68	18	DM181008	31181099	Rebound Spring	2.8.17	Alternate
70	7	39275821	DK141028	'O' Ring	2.8.17	Alternate
74	8	DL191020	DH191037	Bulb 12V - 3 W	2.8.17	Alternate
78	3	JB181239	DH161283	Bolt M6	2.8.17	Alternate
22	1	52JV0142	56JV1V3Q	Cover Assembly Clutch	4.9.17	Alternate
68	22	DJ181051	DJ181042	Cover Trail A	4.9.17	Alternate
64	13	DS181006	36DS1801	HOLDER - HANDLE	4.9.17	Alternate

# SPC Updation Details



Page no.	Fig. no.	Old part no.	New part no.	Description	Updation date	Remarks
76	1	JV161206	PF161217	Cable Accelerator	11.10.17	Alternate
2	9	JV581403	52JV0180	Manifold Intake	05.01.18	Alternate
74	7	DH201043	CL201042	Bulb 12V - 2 W	05.01.18	Alternate
50	9	PF113025	JK113008	Rubber Pillion Step	05.01.18	Alternate
56	3	JV131244	JZ131206	Wheel Rim Rear 2.15 X 17	05.01.18	Alternate
12	1	PF551002	PA551002	Shaft Input Transmission	09.01.18	Correction
38	10	DY351003	DK101605	Plate Roller Clutch	22.02.18	Updation
28	7	JA621001	PF621003	Shaft Kick	02.03.18	Correction
18	2	-----	36PA0210	Kit Assly Crankcase RH	15.05.18	Ref. Cir. IB -321
18	4	-----	KPBF6201	Bearing BallC3Clearances	15.05.18	Ref. Cir. IB -321

# Parts Index



Part Number	Figure No.	Page No.	Part Number	Figure No.	Page No.
06201083	5	82	31201081	5	20
14151021	11	58	33141008	10	70
14151033	15	22	35161060	18	80
15161069	2	78	36314005	3	46
22150241	4	28	39019811	5	62
30101096	7	26	39019811	10	62
30101142	4	22	39021111	6	84
30101195	8	24	39024011	13	26
30141031	3A	70	39024211	24	58
30151032	7	58	39029215	16	48
30151033	6	58	39042215	8	54
30151035	23	58	39042215	23	66
30151038	13	58	39045411	11	48
30151038	20	60	39055302	15	32
30151069	10	58	39055302	10	48
30151069	16	60	39059417	12	6
30151075	13	60	39069415	18	62
30151095	20	62	39070815	21	62
30151105	9	58	39071411	2	48
30151105	17	60	39072211	19A	60
30151118	20	58	39073212	19	58
30171022	10	50	39073817	6	28
30181026	3	68	39075801	13	32
30181029	20	68	39076101	2	70
30191035	11	62	39078408	12	50
30191036	13	62	39078912	8	48
30191038	3	62	39078912	17	62
30201069	12	84	39078912	13	68
30211005	2	52	39079708	3	54
31101173	3	10	39079708	8	62
31181099	18	68	39079815	10	74
31201001	5	84	39079815	17	80

# Parts Index



Part Number	Figure No.	Page No.	Part Number	Figure No.	Page No.
39079815	8	90	39160804	4	90
39080115	3	60	39166005	6	2
39080511	7	62	39167121	20	22
39080708	19	62	39167704	16	32
39080808	6	62	39168904	2	86
39081715	7	16	39171519	4	20
39084001	18	58	39174004	10	18
39084914	8	38	39174004	15	86
39093915	13	48	39176511	19	80
39097204	7	38	39178924	5	72
39098308	6	72	39181304	4	68
39098717	3	12	39181304	14	68
39099206	2	14	39190204	11	16
39099311	5	28	39194304	8	40
39099906	12	20	39194304	25	66
39099906	16	22	39195604	8	84
39099906	4	36	39197015	6	44
39100006	2	8	39197015	9	80
39100006	6	18	39197015	3	84
39100006	11	20	39197215	13	84
39100120	15	26	39198104	20	12
39101321	25	58	39214124	3	80
39104119	3	22	39217924	3	70
39105411	7	72	39219019	7	20
39121111	4	42	39223801	20	80
39122515	7	82	39229515	3	34
39129804	3	90	39236615	7	48
39154011	16	62	39240817	12	28
39155304	11	26	39244311	9	22
39155304	12	64	39248104	13	50
39155604	7	42	39248415	8	70
39156121	6	76	39249211	5	34

# Parts Index



Part Number	Figure No.	Page No.	Part Number	Figure No.	Page No.
39256220	2	20	36JH0032	3	8
39256711	4	60	36JV0012	4	8
39258204	8	80	36JV0013	2	18
39260011	4	26	36Jv0014	6	92
39266921	13	6	36JV0015	6	92
39268320	16	6	36JV0016	2	60
39272204	6	34	36JZ0023	16	26
39272315	3	44	36PA0115	6	6
39275404	4	34	36PA0210	2	18
39276501	10	84	36PF0011	1	78
59040006	7	68	36PF0076	6	92
59040014	10	40	52JA0028	14	26
59040038	11	18	52JA0029	12	18
59040038	16	20	52JV0117	3	92
59040038	17	20	52Jv0118	3	92
59040038	17	22	52JV0119	3	92
59040038	2	24	52Jv0120	4	92
59040038	4	24	52Jv0121	4	92
59150003	1	58	52JV0122	4	92
59150014	1	10	52JV0129	2	92
59200036	3	18	52JV0130	2	92
59200036	3	20	52JV0131	2	92
59210023	9	20	52JV0144	3	2
59210024	17	12	52JV0145	15	2
36DK0020	2	68	52JV0180	9	2
36DK0037	27	66	56JV1V3Q	1	22
36DS1401	1	72	56PF1T4R	5	92
36DS1801	13	64	CB101009	7	4
36DU1007	3	28	CB101022	3	4
36DU1901	11	64	CF111019	4	40
36JE0024	5	26	CL201023	10	80
36Jh0029	6	4	CL201023	2	84

# Parts Index



Part Number	Figure No.	Page No.	Part Number	Figure No.	Page No.
CL201042	7	74	DH181014	5	46
CS101128	9	6	DH181025	11	68
DD101062	10	6	DH191037	8	74
DD101097	13	28	DJ141008	8	72
DD111011	6	40	DJ151033	11	60
DD111012	7	40	DJ151034	25	60
DD111018	3	40	DJ151035	5	60
DD111048	5	40	DJ151036	14	48
DD121181	19	22	DJ151037	15	48
DD191142	15	64	DJ151047	17	48
DD201011	3	52	DJ151053	1	60
DD201011	4	84	DJ151092	18	60
DD201170	28	66	DJ161069	9	52
DF161102	7	54	DJ171033	27	60
DF161252	9	84	DJ181042	22	68
DF161413	4	50	DJ181052	24	68
DF161426	3	32	DJ181085	25	68
DG161121	2	72	DJ181087	2A	68
DG161124	9	54	DJ181115	4	46
DH101048	5	6	DJ191081	6	64
DH101380	8	18	DJ191083	5	64
DH101380	13	38	DJ221003	3	64
DH101380	16	38	DJ221004	4	64
DH101392	7	6	DK101386	4	6
DH101509	9	16	DK101595	9	38
DH101639	14	18	DK101605	10	38
DH101784	6	20	DK101751	1	4
DH151029	15	62	DK141028	7	70
DH161066	6	54	DK151094	14	60
DH161121	4	54	DL151014	22	58
DH161194	5	50	DL181009	4	80
DH161283	3	78	DL181010	2	80

# Parts Index



Part Number	Figure No.	Page No.	Part Number	Figure No.	Page No.
DM221013	1	88	DS181008	19	64
DP101198	11	2	DS181009	21	64
DP121025	8	32	DS181010	22	64
DP121025	14	32	DS181012	19	68
DP161163	11	50	DS181015	8	68
DP161170	8	50	DS181016	9	68
DP171006	6	48	DS181018	2	46
DP211009	8	42	DS181022	2	64
DS101117	8	28	DS181070	26	68
DS101154	6	10	DS181072	27	68
DS101215	8	22	DS181084	6	68
DS101276	3	6	DS191035	4	62
DS121126	7	32	DS191038	26	66
DS141009	1	70	DS191052	7	64
DS151056	3	58	DS191052	14	64
DS151060	2	26	DS201019	5	80
DS151060	4	58	DS201020	6	80
DS151068	7	60	DS201021	7	80
DS151073	8	60	DS201025	9	86
DS151087	27	58	DS201082	6	86
DS151089	12	58	DU101213	19	12
DS151089	19	60	DU161102	3	72
DS151090	21	60	DU181021	1	64
DS151091	14	58	DU191003	17	64
DS151092	16	58	DU191009	8	64
DS151094	17	58	DU201016	6	82
DS151094	26	60	DY351002	11	38
DS161125	10	52	DY351004	12	38
DS161150	9	24	DY511200	4	4
DS181005	20	64	DY511201	5	4
DS181005	10	68	DY511204	1	6
DS181007	18	64	FD101078	3	36

# Parts Index



Part Number	Figure No.	Page No.	Part Number	Figure No.	Page No.
FD211006	2	42	JA561002	3	14
FD211007	3	42	JA581009	5	32
GF201036	11	86	JA581011	12	32
GF201053	12	86	JA581012	6	32
JA113201	2	54	JA621002	9	28
JA113202	5	54	JA621006	11	28
JA113402	2	44	JA621201	1	28
JA121003	12	48	JA621206	2	28
JA131606	26	58	JB122003	9	48
JA231201	6	90	JB122010	3	48
JA231202	7	90	JB122016	1	48
JA401801	8	86	JB131017	1A	58
JA511011	9	32	JB131018	2	58
JA511216	2	6	JB131224	23	60
JA531012	8	10	JB151012	15	80
JA531015	9	10	JB151013	16	80
JA541005	8	20	JB161002	12	62
JA541005	6	24	JB181220	4	78
JA541005	4	38	JB401400	9	64
JA541010	5	18	JB531021	10	10
JA541011	4	18	JB551406	10	26
JA541012	13	18	JB551408	6	26
JA541016	2	36	JB551411	8	26
JA541211	11	22	JB581001	10	32
JA541212	22	22	JB591068	7	34
JA541225	12	22	JD402217	24	66
JA541233	7	24	JD531003	7	10
JA551002	4	12	JD561004	6	14
JA551004	7	12	JD561011	4	14
JA551008	15	12	JE511049	15	6
JA551009	16	12	JE511230	14	6
JA551406	3	26	JE531001	5	10

# Parts Index



Part Number	Figure No.	Page No.	Part Number	Figure No.	Page No.
JE541038	10	20	JV233103	8	92
JE541214	10	22	JV233104	7	92
JE551409	2A	10	JV233105	8	92
JE551409	12	26	JV351204	1	40
JE591002	2	34	JV351213	2	40
JE621003	14	28	JV401602	1	86
JE621403	6	38	JV401801	7	86
JG571024	13	20	JV402215	3	86
JH511044	13	2	JV501008	1	18
JH511045	14	2	JV511023	1	2
JH511050	4	2	JV531004	4	10
JH511210	2	4	JV541006	15	20
JH521005	8	6	JV541208	5	22
JH521007	1	8	JV541225	2	22
JH541021	15	38	JV581204	1	29
JH561200	4	16	JV581404	8	2
JH561404	10	16	JV591009	1	34
JK113008	9	50	JW122004	14	62
JK351600	10	86	JW131601	22	60
JK541212	13	22	JW181229	14	80
JL541227	7	22	JW181232	13	80
JN181211	7	52	JW561206	2	16
JN402000	9	40	JW561208	3	16
JV113401	1	44	JW591028	9	34
JV131023	2	56	JZ131206	3	56
JV131239	4	56	JZ401405	10	64
JV161014	9	62	JZ531006	11	10
JV171001	4	72	JZ551004	18	12
JV191001	1	42	JZ551205	13	12
JV233100	7	92	JZ551413	1	26
JV233101	8	92	JZ551414	1a	26
JV233102	7	92	JZ551415	9	26

# Parts Index



Part Number	Figure No.	Page No.	Part Number	Figure No.	Page No.
JZ561002	7	14	LJA00004	14	20
JZ561415	8	16	LJA00011	7	2
JZ571000	1	36	PA121041	17	68
JZ571001	5	36	PA402225	14	86
KADD0860	5	44	PA402248	13	86
KADD0880	7	44	PA551205	14	12
KADD10B0	4	44	PA551206	12	12
KADF0612	6	52	PA551207	2	12
KADF0625	4	52	PF111000	1	46
KADF0630	13	52	PF113000	1	50
KADF0820	12	52	PF113001	3	50
KADF0822	2	50	PF113002	6	50
KAEd0620	5	2	PF113003	7	50
KAED0620	11	6	PF113008	1	90
KAED0625	10	2	PF113009	2	90
KAED0625	2	38	PF113200	1	54
KAEF0630	15	58	PF121017	5	68
KDCB0816	14	50	PF121018	15	68
KPBB6202	5	58	PF121019	16	68
KPBB6202	12	60	PF121024	21	68
KPBB6302	8	58	PF121025	12	80
KPBb6302	15	60	PF121028	23	68
KPBC6004	6	60	PF121054	29	68
KPBF6201	4	18	PF121080	1	68
LAC00021	5	42	PF121083	28	68
LAC00052	17	38	PF121085	12	68
LAD00138	2	2	PF122030	5	48
LAE00005	14	22	PF122033	4	48
LCB00005	9	60	PF131033	1	56
LDA00025	2B	10	PF131220	10	60
LDB00001	21	58	PF131245	24	60
LDB00044	6	16	PF161001	2	62

# Parts Index



Part Number	Figure No.	Page No.	Part Number	Figure No.	Page No.
PF161002	1	62	PF402402	4	74
PF161208	3	76	PF402403	6	74
PF161209	4	76	PF402404	9	74
PF161212	2	76	PF402405	3	74
PF161213	5	76	PF402406	5	74
PF161217	1	76	PF402600	6	70
PF171800	4	70	PF541018	7	18
PF171803	9	70	PF541029	1	20
PF181209	1	92	PF541237	1	24
PF181211	11	80	PF541240	3	24
PF181430	1	52	PF541242	14	38
PF181431	5	52	PF541249	10	24
PF181432	8	52	PF541254	21	22
PF181433	11	52	PF541255	18	22
PF231201	5	90	PF541265	5	24
PF231401	7	84	PF551002	1	12
PF231405	6	42	PF551003	8	12
PF232601	2A	64	PF551200	6	12
PF232601	5	70	PF551201	5	12
PF351602	1	38	PF551203	10	12
PF401000	1	80	PF551204	11	12
PF401001	1	82	PF551206	9	12
PF401002	2	82	PF551407	6	22
PF401003	3	82	PF561000	1	14
PF401004	4	82	PF561002	5	14
PF401005	1	84	PF561200	1	16
PF401403	5	86	PF561209	5	16
PF401404	4	86	PF581002	2	32
PF401417	16	64	PF581003	1	32
PF402210	11	84	PF581012	4	32
PF402400	1	74	PF581019	11	32
PF402401	2	74	PF581402	12	2

# Parts Index



Part Number	Figure No.	Page No.	Part Number	Figure No.	Page No.
PF591045	8	34			
PF621003	7	28			
PF621005	10	28			
PF621400	3	38			
PF621403	5	38			
PF74013E	5	92			
PF7401X3	5	92			

# Parts Index



Part Number	Figure No.	Page No.	Part Number	Figure No.	Page No.

# Parts Index



Part Number	Figure No.	Page No.	Part Number	Figure No.	Page No.